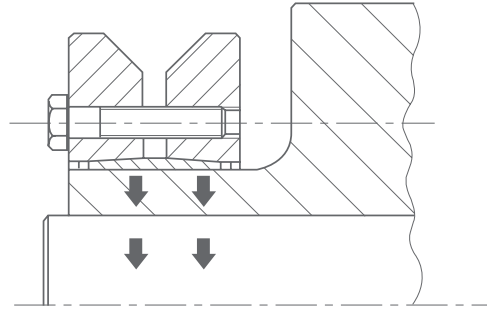


NSPT-LOCKS



Suitable for Shaft Diameters

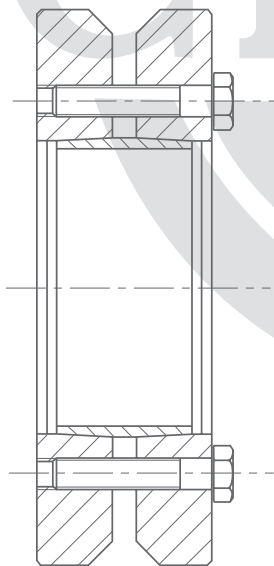
Metric: $\phi 24 \sim \phi 300$ (mm)

Inch: 15/16" - 1 13/16"

SD NSPT-LOCKS is best suitable for the joint connected by hubs and shafts with thin walls. They can fit with large shaft diameters and can transmit large torques.

SD NSPT-LOCKS is formed by one inner circle, two taper tightening rings and matching tightening bolts. They have the characteristics of structure simplicity, easy installation and good durability.

The installation of SD NSPT-LOCKS is as followed:
By tightening the bolts, two tightening rings will press the inner circle with outer taper surface, making it create the radial pressures and frictional forces to connect the hub and the shaft.



Expression of NSPT-LOCKS SD

NL 50 X 90 SD

NSPT LOCK SD

Out Diameter D

Bore Diameter d

NSPT-LOCKS Code

Conversion: 1 inch = 25.40mm

SD NSPT-LOCKS

Conversion

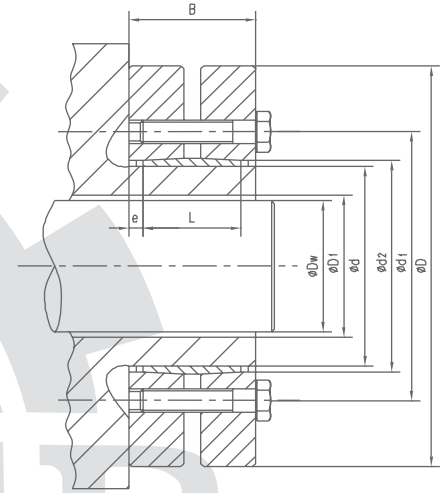
1 ft-lbs. = 0.1382 kgf.m = 1.3550 N.m
1 Psi = 0.0007 kgf/mm² = 0.0069 Mpa

NSPT-LOCKS

Inches

SIZE d inches	SHAFT dw inches	INCHES					Mt ft-lb	Axial force lb	pw psi	LOCKING SCREW	
		D	L	B	d1	e				No.x type	Ms ft-lb
0.551	0.433	1.496	0.276	0.433	0.906	0.079	22.2	1350	26970	4xM5	3
	37						2025				
0.630	0.512	1.496	0.276	0.433	0.906	0.079	52	2250	18850	5xM5	3
	67						2925				
0.945	0.748	1.969	0.551	0.768	1.417	0.108	126	5625	41470	6xM5	3
	155						6075				
1.181	0.787	2.362	0.630	0.846	1.732	0.108	185	6525	33785	7xM5	3
	222						6525				
1.417	0.984	2.835	0.709	0.925	2.047	0.108	252	6975	44515	5xM6	9
	281						7425				
1.732	1.102	3.150	0.787	1.004	2.402	0.108	326	11250	45965	7xM6	9
	422						13050				
1.969	1.181	3.543	0.866	1.083	2.756	0.108	466	13050	41905	8xM6	9
	459						14400				
2.165	1.260	3.937	0.906	1.201	2.953	0.148	577	16650	36540	8xM6	9
	636						17325				
2.441	1.378	4.331	0.906	1.201	3.386	0.148	696	17775	40455	10xM6	9
	858						19350				
2.667	1.417	4.528	0.906	1.201	3.386	0.148	1021	20700	36975	10xM6	9
	858						17775				
2.953	1.496	5.433	0.984	1.280	3.937	0.148	1125	19800	39585	7xM8	22
	1391						21825				
3.150	1.575	6.102	1.181	1.535	4.488	0.177	1369	22500	37120	7xM8	22
	1628						24975				
3.346	1.654	6.102	1.181	1.535	4.488	0.177	1776	26325	41325	10xM8	22
	1480						21825				
3.543	1.772	6.102	1.181	1.535	4.488	0.177	1628	24975	39295	10xM8	22
	1850						23850				
3.937	1.890	6.693	1.339	1.732	4.882	0.177	2331	2700	37410	12xM8	22
	2331						2700				
4.331	1.890	7.283	1.535	1.969	5.354	0.217	1850	26775	35380	9xM10	44
	2368						30825				
4.528	2.047	7.402	1.535	1.969	5.551	0.217	2923	34875	33930	9xM10	44
	2368						27900				
4.724	2.165	8.465	1.654	2.126	6.299	0.236	2886	31500	40165	12xM10	44
	3404						35550				
4.921	2.262	8.465	1.654	2.126	6.299	0.236	3552	39375	38570	12xM10	44
	3552						39375				
5.118	2.362	8.465	1.654	2.126	6.299	0.236	4514	43875	36975	12xM10	44
	5476						48600				
5.512	2.559	9.055	1.811	2.382	6.890	0.285	5106	43875	38280	10xM12	74
	5550						49500				
6.102	2.756	10.433	1.969	2.539	7.559	0.285	5328	51525	38135	12xM12	74
	6660						54000				
6.299	2.953	10.433	1.969	2.539	7.559	0.285	6660	56700	36830	12xM12	74
	7992						58950				
6.496	3.150	11.417	2.205	2.795	8.268	0.295	5476	52875	40165	8xM16	185
	6808						58275				
	3.346						8214	60525			
	3.543						7844	64125			
	3.740						9842	70650			
	3.937						10730	76500			
	4.134						8140	66600			
	4.331						9620	72900			
	4.528						11100	79200			
	4.724						8362	68400			
	4.921						9842	74925			
	5.118						11396	81450			
	5.512						11174	82575			
	6.102						13024	89100			
	6.299						14874	95625			
	6.496						16280	100575			
							18500	107550			
							20720	114525			
							16724	103500			
							19018	110250			
							21312	117000			
							22940	133875			
							25900	141750			
							28860	147375			

SD
NSPT-LOCKS®

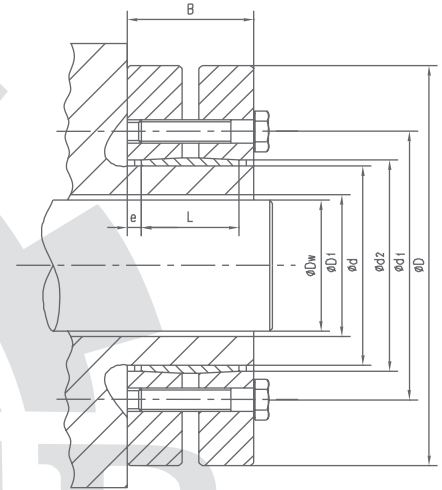


NSPT-LOCKS

Inches

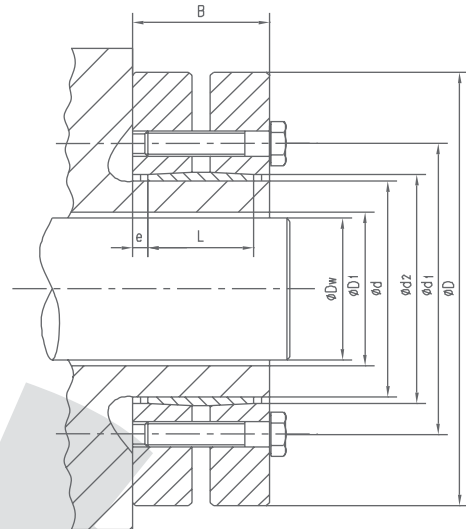
SIZE d inches	SHAFT dw inches	INCHES					Mt ft-lb	Axial force lb	pw psi	LOCKING SCREW	
		D	L	B	d1	e				No.x type	Ms ft-lb
6.693	4.724	11.417	2.205	2.795	8.268	0.295	23606	137250	38860	8xM16	185
	4.921						26640	144000			
	5.118						29674	150750			
6.890	4.921	11.811	2.205	2.795	8.661	0.295	26640	136125	37845	8xM16	185
	5.118						30340	143775			
	5.315						33300	151875			
7.087	5.118	11.811	2.205	2.795	8.661	0.295	27380	180000	36685	8xM16	185
	5.315						31228	189000			
	5.512						34262	199125			
7.283	5.315	12.992	2.795	3.386	9.291	0.295	38480	175050	35380	10xM16	185
	5.512						42180	184275			
	5.709						45880	193725			
7.480	5.512	12.992	2.795	3.386	9.921	0.295	39590	180000	34365	10xM16	185
	5.709						43438	189000			
	5.906						47212	199125			
7.677	5.512	13.780	2.795	3.386	9.685	0.295	48100	209925	40165	12xM16	185
	5.906						56240	230625			
	6.102						60310	240975			
7.874	5.906	13.780	2.795	3.386	9.685	0.295	54760	222750	39150	12xM16	185
	6.102						59200	232875			
	6.299						63640	243000			
8.661	6.299	14.567	3.465	4.094	10.630	0.315	70300	267750	35960	15xM16	185
	6.496						75480	278775			
	6.693						81400	290250			
9.449	6.693	15.945	3.622	4.291	11.614	0.315	88800	329400	39440	12xM20	363
	7.087						102120	354600			
	7.480						115440	376875			
10.236	7.480	16.929	4.055	4.724	12.638	0.335	121360	396000	37991	14xM20	363
	7.874						136160	423000			
	8.268						151700	452250			
11.024	8.268	18.110	4.488	5.276	13.622	0.394	160580	470250	36395	16xM20	363
	8.661						180560	499500			
	9.055						199800	528750			
11.811	9.055	19.094	4.803	5.591	14.331	0.394	203500	546975	35670	18xM20	363
	9.449						218300	577575			
	9.646						233100	593100			
12.598	9.449	20.472	4.803	5.591	15.197	0.394	230880	595575	37265	20xM20	363
	9.843						251600	626850			
	10.236						276760	652500			
13.386	9.843	22.441	5.276	6.142	16.063	0.433	288600	701775	38280	24xM20	363
	10.236						312650	731025			
	10.630						340400	765000			
13.780	10.630	22.835	5.512	6.378	17.008	0.433	327080	737100	35525	24xM20	363
	11.024						355200	771750			
	11.220						370000	787500			
14.173	11.024	23.228	5.512	6.378	17.008	0.433	342260	744750	34510	24xM20	363
	11.417						371480	778725			
	11.614						386280	795600			
14.961	11.417	25.394	5.669	6.614	18.031	0.472	419580	879750	38135	20xM24	622
	11.811						451400	918000			
	12.205						486920	955800			
15.354	11.811	25.984	5.669	6.614	18.425	0.472	461760	936000	39150	21xM24	622
	12.205						496540	974250			
	12.598						531320	1008900			
15.748	12.402	26.772	5.669	6.614	18.898	0.472	495800	958500	38135	21xM24	622
	12.598						514300	977625			
	12.992						550560	1012500			
16.535	12.992	27.165	6.457	7.402	19.842	0.472	577200	1091250	36395	24xM24	622
	13.386						621600	1134000			
	13.780						666000	1174500			
17.323	13.386	29.528	6.968	7.953	20.748	0.492	596440	1066500	32335	24xM24	622
	13.780						636400	1104750			
	14.173						678580	1145250			
18.110	14.173	30.315	6.968	7.953	21.535	0.492	740000	1275750	35960	28xM24	622
	14.567						791800	1318500			
	14.961						843600	1361250			
18.898	14.961	31.496	7.402	8.386	22.41	0.492	865800	1383750	34800	30xM24	622
	15.354						917760	1428750			
	15.748						969400	1473750			

SD
NSPT-LOCKS®



NSPT-LOCKS

Metric



SD NSPT-LOCKS®

Conversion: 1 inch = 25.40mm

Catalog dxD	Fundamental Dimension						Internal Hexagon Headed Bolt		Rated Loads		Pf Mpa	MA N.M	G kg
	DW	L	B	d1	d2	e	SIZES	QTY	Ft KN	Mt KN.M			
CL24x50SD	19-21	14	19.5	36	26	2.75	M5x18	6	20.6	0.205	314	4.9	0.2
CL30x60SD	24-26	16	21.5	44	32	2.75	M5x18	7	23.7	0.297	254	4.9	0.3
CL36x72SD	28-31	18	23.5	52	38	2.75	M6x20	5	38.0	0.57	271	11.8	0.4
CL44x80SD	34-36	20	25.5	61	47	2.75	M6x20	7	49.0	0.857	278	11.8	0.6
CL50x90SD	38-42	22	27.5	70	53	2.75	M6x25	8	58.8	1.18	258	11.8	0.8
CL55x100SD	42-48	23	30.5	75	58	3.75	M6x25	8	61.7	1.39	226	11.8	1.1
CL62x110SD	48-52	23	30.5	86	66	3.75	M6x25	10	83.1	2.08	249	11.8	1.3
CL68x115SD	50-60	23	30.5	86	72	3.75	M6x25	10	80.9	2.23	229	11.8	1.4
CL75x138SD	55-65	25	32.5	100	79	3.75	M8x30	7	111	3.31	253	29.4	1.7
CL80x145SD	60-70	25	32.5	100	84	3.75	M8x30	7	115	3.72	239	29.4	1.9
CL90x155SD	65-75	30	39	114	94	4.5	M8x35	10	160	5.60	255	29.4	3.3
CL100x170SD	70-80	34	44	124	104	5.0	M8x35	12	182	6.84	242	29.4	4.7
CL110x185SD	75-85	39	50	136	114	5.5	M10x40	9	207	8.25	226	57.8	5.9
CL125x215SD	85-95	42	54	160	137	6.0	M10x40	12	262	11.8	240	57.8	8.3
CL140x230SD	95-105	46	60.5	175	146	7.3	M12x45	10	331	16.6	242	98.0	10
CL155x265SD	105-115	50	64.5	192	165	7.3	M12x50	12	392	21.6	237	98.0	15
CL165x290SD	115-125	56	71	210	175	7.5	M16x55	8	544	32.6	259	245	22
CL175x300SD	125-135	56	71	220	185	7.5	M16x55	8	552	35.9	246	245	22
CL185x330SD	135-145	71	86	236	195	7.5	M16x65	10	702	49.1	228	245	37
CL195x350SD	140-155	71	86	246	210	7.5	M16x65	12	861	64.6	254	245	41
CL200x350SD	150-160	71	86	246	210	7.5	M16x65	12	901	69.8	254	245	41
CL220x370SD	160-170	88	104	270	230	8	M16x80	15	1080	89.2	234	245	54
CL240x405SD	170-190	92	109	295	248	8.5	M20x80	12	1400	126.0	260	480	67
CL260x430SD	190-210	103	120	321	268	8.5	M20x80	14	1690	169.0	251	480	82
CL280x460SD	210-230	114	134	346	288	10	M20x100	16	1990	219.0	241	480	102
CL300x485SD	230-245	122	142	364	308	10	M20x100	18	2310	277.0	237	480	118

Conversion

1 ft.-lbs. = 0.1382 kgf.M = 1.3550 N.m
 1 Psi = 0.0007 kgf/mm² = 0.0069 Mpa