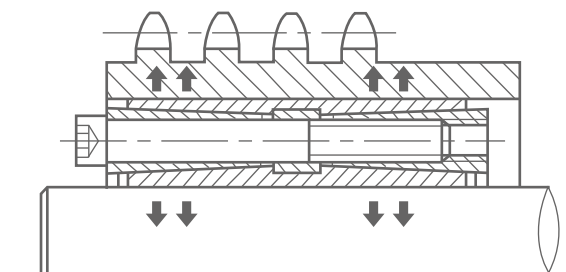


CAPT-LOCKS



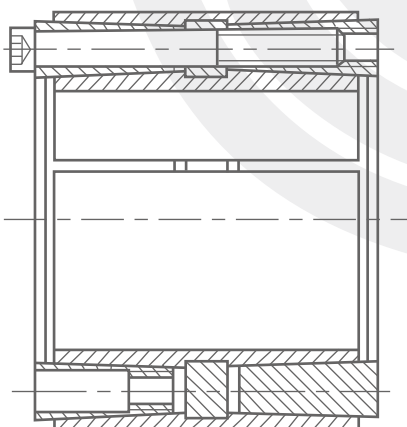
suit for shaft diameter f45~f300 (mm)



D CAPT-LOCKS is a heavier type of B type which connecting capacity is 2 or 3 times of B type and the dimension series of D type CAPT lock is the same as B type so if using 1 piece of D type CAPT locks, the cost can be reduced.

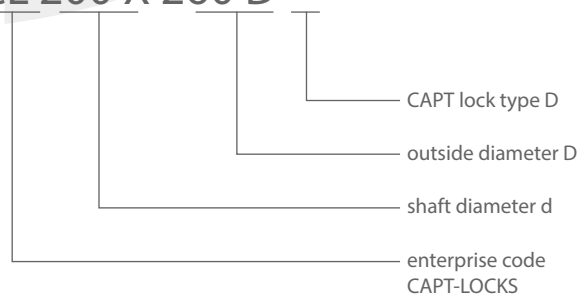
D CAPT-LOCKS has characteristics of self centered installed and good concentricity. The guiding taper surface does not need to be machined specially, the central bore of hub and the surface of shaft all in straight line, then more production time and cost can be saved.

D CAPT-LOCKS have the characteristics of easy on and easy off, high precision for installation and connecting capacity. The connecting function of D CAPT-LOCKS comes from the friction and pressure between the CAPT-LOCKS with shaft and hub, it is the connecting without slot and key. In this way, the processes for machining key, pressing installation, hot charging can be saved. D type can be used in the transmission by connection with a heavy duty and big torque.



Nomenclature for CAPT-LOCKS type D

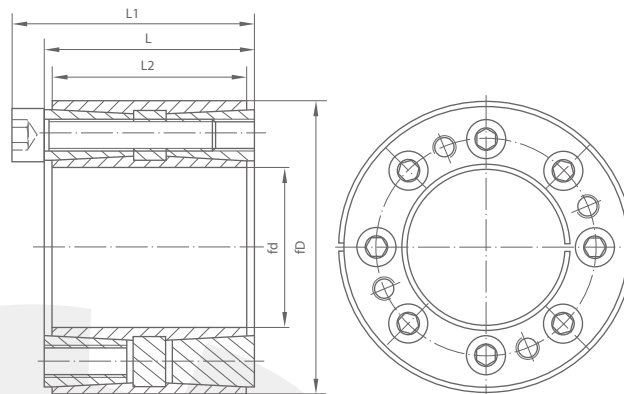
CL 200 X 260 D



D CAPT-LOCKS

CAPT-LOCKS

D



D CAPT-LOCKS®

Catalog	Fundamental dimensions			SizesxN	Rated load		Ps	Ph	Ma	G
	dxD	L2	L		L1	Ft(Kn)				
CL45x75D	56	64	72	M8x9	160	3.51	179	108	41	1.25
CL48x80D	56	64	72	M8x9	160	3.72	168	101	41	1.41
CL50x80D	56	64	72	M8x9	170	4.3	162	101	41	1.35
CL55x85D	56	64	72	M8x9	170	4.7	147	95	41	1.45
CL60x90D	56	64	72	M8x11	190	5.81	165	110	41	1.55
CL65x95D	56	64	72	M8x11	190	6.10	130	89	41	1.92
CL70x110D	70	78	88	M10x11	330	11.8	179	114	83	3.11
CL75x115D	70	78	88	M10x11	330	12.6	167	109	83	3.28
CL80x120D	70	78	88	M10x12	360	14.7	171	114	83	3.45
CL85x125D	70	78	88	M10x12	360	15.6	161	109	83	3.63
CL90x130D	70	78	88	M10x13	390	17.9	165	114	83	3.8
CL95x135D	70	78	88	M10x13	390	18.9	156	110	83	3.97
CL100x145D	90	100	112	M12x12	467	23.3	181	108	145	6.80
CL110x155D	90	100	112	M12x13	553	30.4	190	110	145	7.50
CL120x165D	90	100	112	M12x15	617	37	195	119	145	8.60
CL130x180D	104	116	130	M14x13	759	49	180	111	230	11.1
CL140x190D	104	116	130	M14x15	843	59	186	121	230	11.8
CL150x200D	104	116	130	M14x16	897	67	185	123	230	12.6
CL160x210D	104	116	130	M14x17	950	76	183	123	230	13.4
CL170x225D	134	146	162	M16x15	1223	104	172	110	355	19.6
CL180x235D	134	146	162	M16x16	1289	116	172	113	355	20.6
CL190x250D	134	146	162	M16x17	1363	130	172	113	355	23.8
CL200x260D	134	146	162	M16x17	1368	136	172	108	355	24.9
CL220x285D	134	146	162	M16x20	1582	174	172	118	355	29.6
CL240x305D	134	146	162	M16x22	1725	207	172	120	355	31.9
CL260x325D	134	146	162	M16x22	1800	225	170	110	355	34.3
CL280x355D	165	177	197	M20x20	2429	340	168	118	690	52.0
CL300x375D	165	177	197	M20x22	2540	381	161	112	690	55.3
CL320x405D	165	177	197	M20x22	2781	431	175	122	690	67.3
CL340x425D	165	177	197	M20x24	2994	509	171	108	690	71.0

The items<CL200X260D are standard products in stock, the items>CL200X260D will be produced against orders