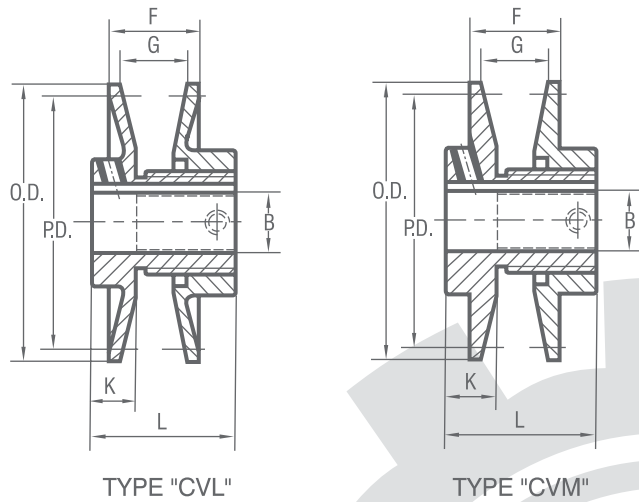


A_s ^{adjustable} _{speed} **V-pulleys**

Cast Iron Sheaves

F_B ^{inished} _{ore}



Stock "CVL" and "CVM" Variable Pitch Sheaves

Part No.	DIAMETER RANGE												STOCK BORES MARKED "X"			
	"3L" Belts				"4L" or "A" Belts				"5L" or "B" Belts				1/2	5/8	3/4	7/8
	Min. Pitch	Turns Open	Max. Pitch	Turns Open	Min. Pitch	Turns Open	Max. Pitch	Turns Open	Min. Pitch	Turns Open	Max. Pitch	Turns Open				
CVL25	1.6	4	2.4	0	—	—	—	—	—	—	—	—	●	●		
CVL30	1.8	4	2.7	0	—	—	—	—	—	—	—	—	●	●		
CVL34	1.7	4	2.5	0	1.9	5	2.9	0	2.4	5	3.2	1	●	●	●	
CVL40	2.3	4	3.1	0	2.4	5	3.4	0	2.7	6	3.7	1	●	●	●	●
CVL44	2.7	4	3.5	0	2.8	5	4.4	0	3.1	6	4.1	1	●	●	●	●
CVM50	3.3	4	4.1	0	3.4	5	4.4	0	3.7	6	4.7	1	●	●	●	●

do not use "CVL" and "CVM" sheaves with Gripnotch Belt Ratings.

"CVL" Sheaves are machined on essential surfaces only. "CVM" Sheaves are machined all over. Both are furnished with Standard Keyseats and Hollow Head Setscrews and are packaged 20 pieces per carton box.

Dimensions

Part No.	Dimensions							Wt. Lbs.
	OD	F		G		L	K	
		Max.	Min.	Max.	Min.			
CVL25	2.50"	25/32"	17/32"	5/8"	3/8"	1 1/2"	37/64"	.8
CVL30	2.87	25/32	17/32	5/8	3/8	1 1/2	37/64	1.0
CVL34	3.15	1	5/8	7/8	1/2	1 11/16	37/64	1.1
CVL40	3.75	1	5/8	7/8	1/2	1 11/16	37/64	1.3
CVL44	4.15	1	5/8	7/8	1/2	1 11/16	37/64	1.3
CVM50	4.75	1 1/16	11/16	7/8	1/2	1 7/8	21/32	2.8

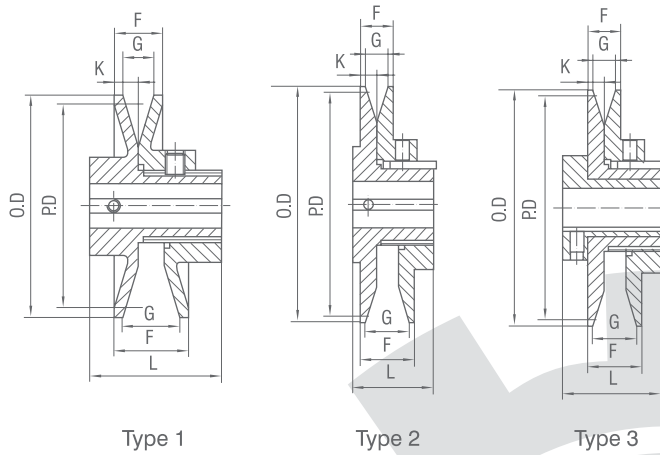
Standard Keyseats

Bore Range	Keyseats
1/2"	None
5/8 to 7/8	3/16" x 3/32"

AS adjustable speed **V-pulleys**

Cast Iron Sheaves

Finished **B**ore



Dimensions-Finished Bore

1VP

SPCFCTN	TYPE	O.D	F		G		L	K	Stock Bores Marked "●"								Wt Lbs.	
			Max	Min	Max	Min			1/2	5/8	3/4	7/8	1	1 1/8	1 1/4	1 3/8		1 5/8
1VP25	1	2.50	13/16	9/16	5/8	3/8	1 1/2	5/8	●									0.8
1VP30	1	2.87	13/16	9/16	5/8	3/8	1 21/32	19/32	●	●	●							0.9
1VP34	1	3.15	1	11/16	13/16	1/2	1 7/8	21/32	●	●	●	●						1.2
1VP40	1	3.75	1 1/16	11/16	7/8	1/2	1 7/8	21/32	●	●	●	●						1.7
1VP44A	1	4.15	1 1/16	11/16	7/8	1/2	1 7/8	21/32	●	●	●							1.9
1VP44B	2	4.15	1 1/8	3/4	7/8	1/2	1 7/8	11/16				●	●	●				2.6
1VP50A	1	4.75	1 1/16	11/16	7/8	1/2	2	25/32	●	●	●							1.9
1VP50B	2	4.75	1 1/8	3/4	7/8	1/2	1 7/8	11/16				●	●	●				2.9
1VP56A	1	5.35	1 1/16	11/16	7/8	1/2	1 7/8	21/32	●	●	●							2.7
1VP56B	2	5.35	1 1/8	3/4	7/8	1/2	1 7/8	11/16				●	●	●				3.4
1VP60	2	6.00	1 1/4	7/8	1 1/32	21/32	1 21/32	7/16		●	●			●		●		5.5
1VP60A	3	6.00	1 1/4	7/8	1 1/32	21/32	2 5/32	15/16								●		5.3
1VP62	2	5.95	1 1/8	3/4	7/8	1/2	1 29/32	21/32		●	●	●	●	●	●			5.7
1VP65	2	6.50	1 1/4	7/8	1 1/32	21/32	1 21/32	7/16			●	●		●		●		5.8
1VP65A	3	6.50	1 1/4	7/8	1 1/32	21/32	2 5/32	15/16								●		5.5
1VP68	2	6.55	1 1/8	3/4	7/8	1/2	1 29/32	21/32		●	●	●	●	●	●			6.4
1VP71	2	7.10	1 1/4	7/8	1 1/32	21/32	1 21/32	7/16			●	●		●		●		6.8
1VP71A	3	7.10	1 1/4	7/8	1 1/32	21/32	2 5/32	15/16								●		6.5
1VP75	2	7.50	1 1/4	7/8	1 1/32	21/32	1 21/32	7/16			●	●		●		●		7.3
1VP75A	3	7.50	1 1/4	7/8	1 1/32	21/32	2 5/32	15/16								●		7.0

Standard Keyseats

NSPT-Adjustable Speed Pulleys with changeable diameters are made of high quality material of cast iron, with protective paint on surface and individual packaging available. They can be on direct use as the installed bores' processing complies with relevant standards.

Bore Range	Keyseats
1/2	
5/8~7/16	3/16X3/32
15/16~1 1/4	1/4X1/8
1 5/16~1 3/8	5/16X5/32
1 7/16~1 9/16	3/8X3/16

A_s
adjustable speed

V-pulleys

F_B
finished bore

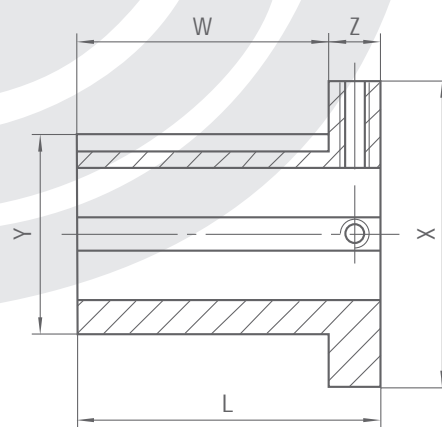
Cast Iron Sheaves

1VP

Single Groove Variable Speed Sheaves for "A", "B", and "5V" Belts

SPCFCTN	TYPE	DIAMETER RANGE															
		3L BELTS				4L or A BELTS				5L or B BELTS				5V BELTS			
		Min Pilch	Turms Open	Max Pilch	Turms Open	Min Pilch	Turms Open	Max Pilch	Turms Open	Min Pilch	Turms Open	Max Pilch	Turms Open	Min Pilch	Turms Open	Max Pilch	Turms Open
1VP25	1	1.6	4	2.4	0												
1VP30	1	1.8	4	2.7	0												
1VP34	1	1.7	4	2.5	0	1.9	5	2.9	0	2.4	5	3.2	1				
1VP40	1	2.3	4	3.1	0	2.4	5	3.4	0	2.7	6	3.7	1				
1VP44	1	2.7	4	3.5	0	2.8	5	3.8	0	3.1	6	4.1	1				
1VP44	2	2.7	4	3.5	0	2.8	5	3.8	0	3.1	6	4.1	1				
1VP50	1	3.3	4	4.1	0	3.4	5	4.4	0	3.7	6	4.7	1				
1VP50	2	3.3	4	4.1	0	3.4	5	4.4	0	3.7	6	4.7	1				
1VP56	1	3.9	4	4.7	0	4.0	5	5.0	0	4.3	6	5.3	1				
1VP56	2	3.9	4	4.7	0	4.0	5	5.0	0	4.3	6	5.3	1				
1VP60	2					4.2	5	5.2	0	4.3	6	5.5	0				
1VP60A	3					4.2	5	5.2	0	4.3	6	5.5	0				
1VP62	2	4.5	4	5.3	0	4.6	5	5.6	0	4.9	6	5.9	1	5.3	6	6.3	1
1VP65	2					4.7	5	5.7	0	4.8	6	6.0	0	5.2	6	6.4	0
1VP65A	3					4.7	5	5.7	0	4.8	6	6.0	0	5.2	6	6.4	0
1VP68	2	5.1	4	5.9	0	5.2	5	6.2	0	5.5	6	6.5	1	5.9	6	6.9	1
1VP71	2					5.3	5	6.3	0	5.4	6	6.6	0	5.8	6	7.0	0
1VP71A	3		5	6.3	0	5.3	6	6.3	0	5.4	6	6.6	0	5.8	6	7.0	0
1VP75	2					5.7	5	6.7	0	5.8	6	7.0	0	6.2	6	7.4	0
1VP75A	3					5.7	5	6.7	0	5.8	6	7.0	0	6.2	6	7.4	0

1VP60A-1VP75A and 2VP60A-2VP75A can be equipped with A2 or A3 adaptors, they can apply to different shaft diameters with changeable inner bore dimensions.



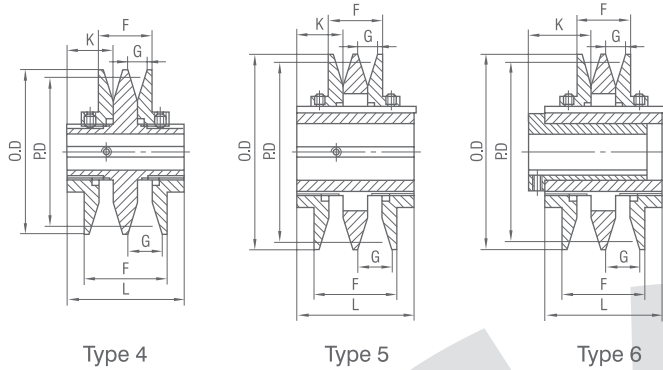
Bushing Dimensions-Finished Bore

Bushings	Bore Rangs	L	W	X	Y	Z	1/2	5/8	3/4	7/8	15/16	1	1 1/16	1 1/8	1 3/16	1 1/4	1 5/16	1 3/8	1 7/16	1 1/2	1 9/16	
A2	1/2 ~ 13/16	1 15/16	1 7/16	2 1/2	1 5/8	1/2	●	●	●	●	●	●		●	●							
	1 1/4 ~ 1 9/16	1 15/16	1 1/2	2 1/2	1 5/8	7/16										●		●	●	●		
A3	3/4 ~ 13/16	2 15/16	2 7/16	2 1/2	1 5/8	1/2			●	●	●	●	●	●	●							
	1 1/4 ~ 1 9/16	2 15/16	2 1/2	2 1/2	1 5/8	7/16										●	●	●	●	●	●	●

A_s ^{djustable}
_{peed} **V-pulleys**

F_B ^{inished}
_{ore}

Cast Iron Sheaves



Dimensions-Finished Bore

2VP

SPCFCTN	TYPE	O.D	F		G		L	K	Stock Bores Marked "●"								Wt Lbs.	
			Max	Min	Max	Min			1/2	5/8	3/4	7/8	1	1 1/8	1 1/4	1 3/8		1 5/8
2VP36	4	3.35	2	1 3/8	13/16	1/2	3	1 3/16	●	●	●	●	●					3.4
2VP42	4	3.95	2 1/8	1 3/8	7/8	1/2	3	1 3/16		●	●	●	●	●				4.4
2VP50	5	4.75	2 1/8	1 3/8	7/8	1/2	3	1 3/16		●	●	●	●	●				6.3
2VP56	5	5.35	2 1/8	1 3/8	7/8	1/2	3	1 3/16		●	●	●	●	●				7.8
2VP60	5	6.00	2 3/8	1 5/8	1 1/32	2 1/32	3 1/4	1 1/4			●	●			●			10.6
2VP60A	6	6.00	2 3/8	1 5/8	1 1/32	2 1/32	3 3/4	1 3/4									●	10.4
2VP62	5	5.95	2 1/8	1 3/8	7/8	1/2	3	1 3/16			●	●	●	●	●			10.0
2VP65	5	6.50	2 3/8	1 5/8	1 1/32	2 1/32	3 1/4	1 1/4			●	●			●			12.3
2VP65A	6	6.50	2 3/8	1 5/8	1 1/32	2 1/32	3 3/4	1 3/4									●	12.0
2VP68	5	6.55	2 1/8	1 3/8	7/8	1/2	3	1 3/16				●	●	●	●			11.7
2VP71	5	7.10	2 3/8	1 5/8	1 1/32	2 1/32	3 1/4	1 1/4			●	●			●			14.6
2VP71A	6	7.10	2 3/8	1 5/8	1 1/32	2 1/32	3 1/4	1 3/4									●	14.4
2VP75	5	7.50	2 3/8	1 5/8	1 1/32	2 1/32	3 1/4	1 1/4			●	●			●			16.5
2VP75A	6	7.50	2 3/8	1 5/8	1 1/32	2 1/32	3 1/4	1 3/4									●	16.3

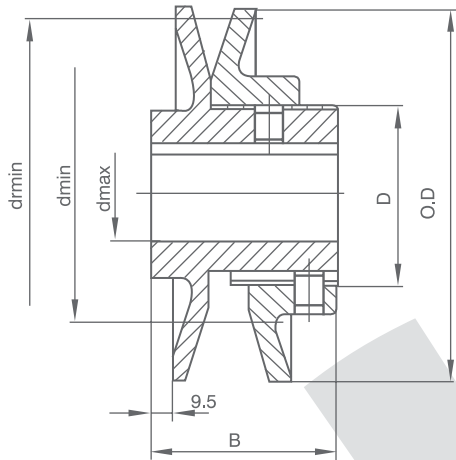
Two Groove Variable Pitch Sheaves for "3L", "4L", "5L", "A", "B", and "5V" Belts

SPCFCTN	TYPE	DIAMETER RANGE															
		3L BELTS				4L OR A BELTS				5L OR B BELTS				5V BELTS			
		Max Pilch	Min Open	Max Pilch	Turms Open	Max Pilch	Min Open	Max Pilch	Turms Open	Max Pilch	Min Open	Max Pilch	Turms Open	Max Pilch	Min Open	Max Pilch	Turms Open
2VP36	4	1.9	4	2.7	0	2.0	5	3.0	0	2.5	5	3.3	1				
2VP42	4	2.5	4	3.3	0	2.6	5	3.6	0	2.9	6	3.9	1				
2VP50	5	3.3	4	4.1	0	3.4	5	4.4	0	3.7	6	4.7	1				
2VP56	5	3.9	4	4.7	0	4.0	5	5.0	0	4.3	6	5.3	1				
2VP60	5					4.2	5	5.2	0	4.3	6	5.5	0				
2VP60A	6					4.2	5	5.2	0	4.3	6	5.5	0				
2VP62	5	4.5	4	5.3	0	4.6	5	5.6	0	4.9	6	5.9	1	5.3	6	6.3	1
2VP65	5					4.7	5	5.7	0	4.8	6	6.0	0	5.2	6	6.4	0
2VP65A	6					4.7	5	5.7	0	4.8	6	6.0	0	5.2	6	6.4	0
2VP68	5	5.1	4	5.9	0	5.2	5	6.2	0	5.5	6	6.5	1	5.9	6	6.9	1
2VP71	5					5.3	5	6.3	0	5.4	6	6.6	0	5.8	6	7.0	0
2VP71A	6					5.3	5	6.3	0	5.4	6	6.6	0	5.8	6	7.0	0
2VP75	5					5.7	5	6.7	0	5.8	6	7.0	0	6.2	6	7.4	0
2VP75A	6					5.7	5	6.7	0	5.8	6	7.0	0	6.2	6	7.4	0

A_s ^{djustable} _{peed} **V-pulleys**

SB-1
NSPT Standard

Cast Iron Sheaves



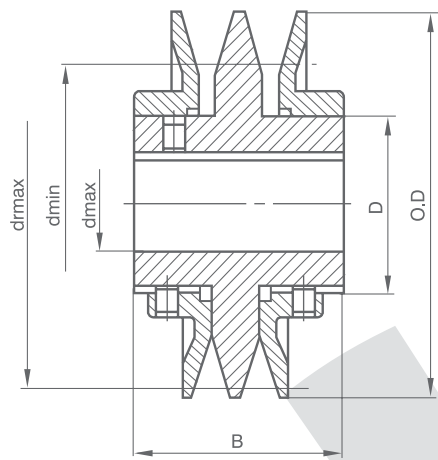
Single Groove Variable Pitch Sheaves for "3L", "4L", "5L", "A", "B", and "5V" Belts

PART NO.	OD	D	Bore max	L	set screws	dr			wt Lbs
						min	max		
SB33-1	3.26	19/16	7/8	17/8	1/4x1/4	2.48	3.11	3V	1.86
						2.25	3.00	3/8x5/16	
SB37-1	3.66	17/8	1	17/8	1/4x1/4	2.65	3.50	3V	2.14
						2.60	3.45	4L/A	
						2.40	3.45	3/8x5/16	
						2.36	3.35	1/2x5/16	
SB42-1	4.25	1 15/16	1 1/8	17/8	1/4x1/4	3.10	3.70	3V	3.42
						3.20	4.05	4L/A	
						2.90	3.68	3/8x5/16	
						2.95	4.00	1/2x5/16	
SB47-1	4.72	2 1/4	1 1/8	17/8	1/4x1/4	3.60	4.20	3V	3.63
						3.70	4.55	4L/A	
						3.40	4.20	3/8x5/16	
						3.50	4.50	1/2x5/16	
SB55-1	5.45	2 1/4	1 1/2	17/8	1/4x1/4	4.30	4.88	3V	5.40
						4.40	5.20	4L/A	
						4.60	5.16	5V/B	
						4.10	4.85	3/8x5/16	
						4.15	5.10	1/2x5/16	
						4.30	5.05	21/32x13/32	
SB63-1	6.30	3 1/8	2 1/16	2 1/16	5/16x5/16	4.70	5.30	3V	9.34
						4.80	5.60	4L/A	
						5.00	6.00	5V/B	
						4.50	5.25	3/8x5/16	
						4.55	5.75	1/2x5/16	
						4.70	5.90	21/32x13/32	
SB71-1	7.10	3 1/8	2 1/16	2 1/16	5/16x5/16	5.55	6.40	4L/A	11.20
						5.75	6.80	5V/B	
						5.30	6.35	1/2x5/16	
						5.50	6.70	21/32x13/32	

A_s ^{adjustable} _{speed} **V-pulleys**

SB-2
NSPT Standard

Cast Iron Sheaves



Single Groove Variable Pitch Sheaves for "3L", "4L", "5L", "A", "B", and "5V" Belts

PART NO.	OD	D	Bore max	L	set screws	dr			wt Lbs
						min	max		
SB33-2	3.26	19/16	7/8	3"	1/4x1/4	2.48	3.11	3V	3.10
						2.25	3.00	3/8x5/16	
SB37-2	3.66	1 7/8	1	3"	1/4x1/4	2.65	3.50	3V	3.63
						2.60	3.45	4L/A	
						2.40	3.45	3/8x5/16	
						2.36	3.35	1/2x5/16	
SB42-2	4.25	1 15/16	1 1/8	3"	1/4x1/4	3.10	3.70	3V	4.46
						3.20	4.05	4L/A	
						2.90	3.68	3/8x5/16	
						2.95	4.00	1/2x5/16	
SB47-2	4.72	2 1/4	1 1/8	3"	1/4x1/4	3.60	4.20	3V	5.60
						3.70	4.55	4L/A	
						3.40	4.20	3/8x5/16	
						3.50	4.50	1/2x5/16	
SB55-2	5.45	2 1/4	1 1/2"	3"	1/4x1/4	4.30	4.88	3V	9.34
						4.40	5.20	4L/A	
						4.60	5.16	5V/B	
						4.10	4.85	3/8x5/16	
						4.15	5.10	1/2x5/16	
SB63-2	6.30	3 1/8	2 1/16	3 9/16	5/16x5/16	4.70	5.30	3V	15.60
						4.80	5.60	4L/A	
						5.00	6.00	5V/B	
						4.50	5.25	3/8x5/16	
						4.55	5.75	1/2x5/16	
SB71-2	7.10	3 1/8	2 1/16	3 9/16	5/16x5/16	4.70	5.90	21/32x13/32	19.10
						5.55	6.40	4L/A	
						5.75	6.80	5V/B	
						5.30	6.35	1/2x5/16	
						5.50	6.70	21/32x13/32	