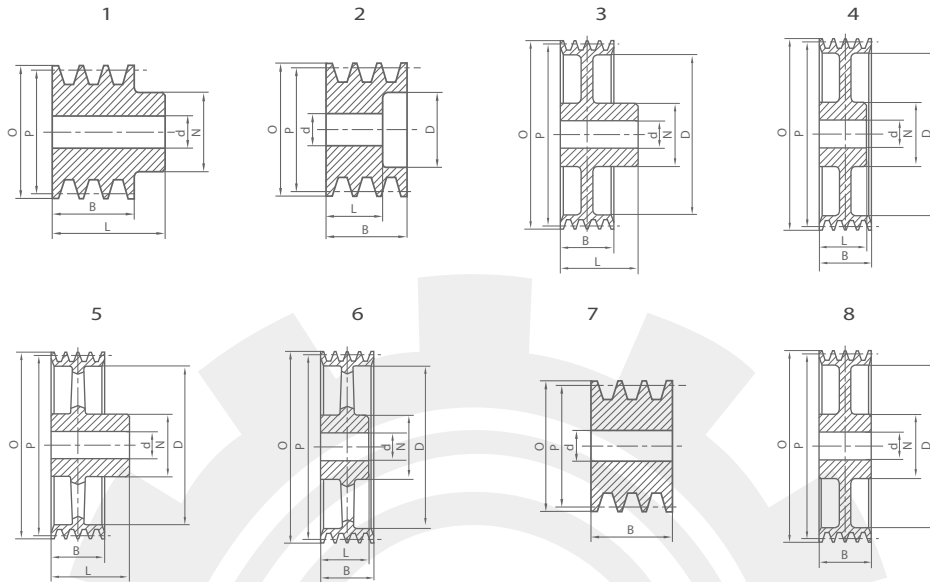


S^{standard}_B^{core} V-pulleys

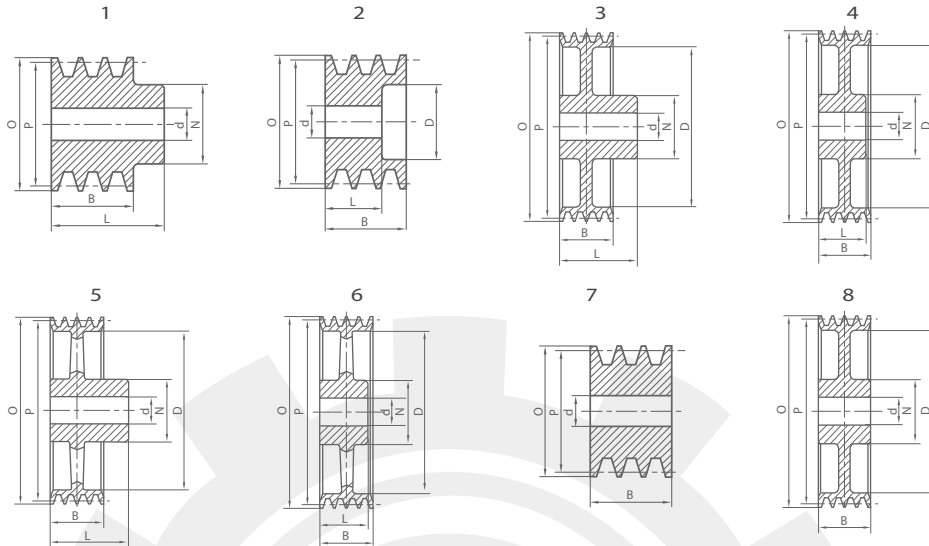
SPA-1



PART NO.	NO.OF GROOVES	O.D	P.D	TYPE	N	L	D	E	B	d
SPA40-1S	1	45.5	40	1	40	35	—	—	20	10
SPA50-1S	1	55.5	50	1	40	35	—	—	20	10
SPA60-1S	1	65.5	60	1	40	35	—	—	20	10
SPA71-1S	1	76.5	71	1	40	40	—	—	20	10
SPA75-1S	1	80.5	75	1	40	40	—	—	20	10
SPA80-1S	1	85.5	80	1	45	40	—	—	20	10
SPA85-1S	1	90.5	85	1	45	40	—	—	20	10
SPA90-1S	1	95.5	90	1	45	40	—	—	20	10
SPA95-1S	1	100.5	95	1	45	40	—	—	20	10
SPA100-1S	1	105.5	100	1	48	40	—	—	20	10
SPA106-1S	1	111.5	106	1	48	40	—	—	20	10
SPA112-1S	1	117.5	112	1	48	40	—	—	20	10
SPA118-1S	1	123.5	118	1	60	40	—	—	20	15
SPA132-1S	1	137.5	132	1	60	40	—	—	20	15
SPA140-1S	1	145.5	140	3	60	40	107	10	20	15
SPA150-1S	1	155.5	150	3	60	40	117	10	20	15
SPA160-1S	1	165.5	160	3	60	40	127	10	20	15
SPA170-1S	1	175.5	170	3	60	40	137	10	20	15
SPA180-1S	1	185.5	180	3	65	40	147	10	20	20
SPA200-1S	1	205.5	200	3	65	45	167	10	20	20
SPA224-1S	1	229.5	224	3	65	45	192	10	20	20
SPA250-1S	1	255.5	250	3	75	50	217	12	20	20
SPA280-1S	1	285.5	280	5	75	50	247	14	20	20
SPA300-1S	1	305.5	300	5	75	50	267	14	20	20
SPA315-1S	1	320.5	315	5	75	60	282	14	20	20
SPA355-1S	1	360.5	355	5	75	50	322	14	20	20
SPA400-1S	1	405.5	400	5	90	50	367	14	20	20
SPA450-1S	1	455.5	450	5	90	50	417	14	20	20

S_{Standard}
B_{ore} **V-pulleys**

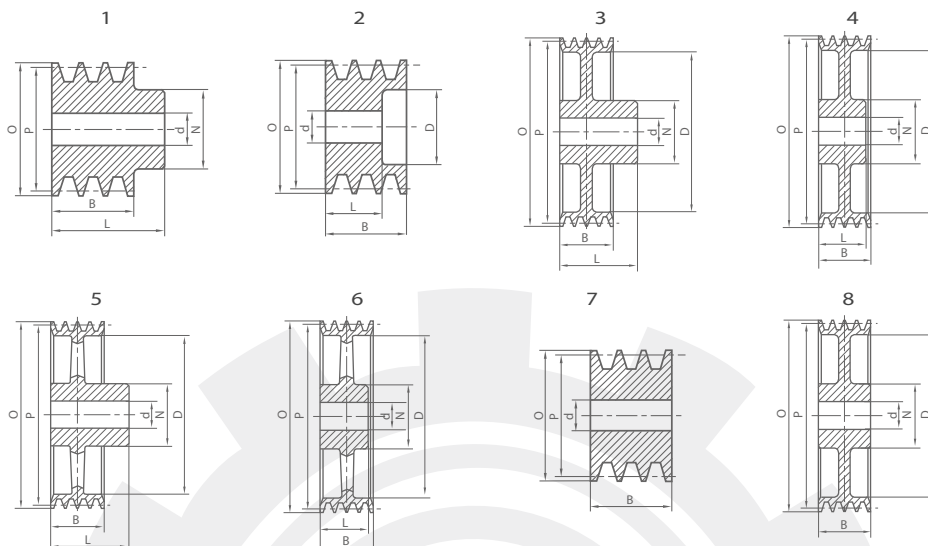
SPA-2



PART NO.	NO.OF GROOVES	O.D	P.D	TYPE	N	L	D	E	B	d
SPA50-2S	2	55.5	50	1	40	45	—	—	35	10
SPA60-2S	2	65.5	60	1	40	45	—	—	35	10
SPA71-2S	2	76.5	71	1	50	45	—	—	35	10
SPA75-2S	2	80.5	75	1	50	45	—	—	35	10
SPA80-2S	2	85.5	80	1	50	45	—	—	35	10
SPA85-2S	2	90.5	85	1	50	45	—	—	35	10
SPA90-2S	2	95.5	90	1	60	45	—	—	35	15
SPA95-2S	2	100.5	95	1	60	45	—	—	35	15
SPA100-2S	2	105.5	100	1	60	45	—	—	35	15
SPA106-2S	2	111.5	106	1	60	45	—	—	35	15
SPA112-2S	2	117.5	112	1	60	45	—	—	35	15
SPA118-2S	2	123.5	118	1	60	45	—	—	35	15
SPA132-2S	2	137.5	132	1	60	45	—	—	35	15
SPA140-2S	2	145.5	140	3	60	45	107	10	35	15
SPA150-2S	2	155.5	150	3	60	45	117	10	35	15
SPA160-2S	2	165.5	160	3	60	45	127	10	35	15
SPA170-2S	2	175.5	170	3	60	45	137	10	35	15
SPA180-2S	2	185.5	180	3	70	50	147	12	35	20
SPA200-2S	2	205.5	200	3	70	50	167	12	35	20
SPA224-2S	2	229.5	224	3	70	50	192	12	35	20
SPA250-2S	2	255.5	250	3	75	50	217	12	35	20
SPA280-2S	2	285.5	280	5	80	50	247	14	35	20
SPA300-2S	2	305.5	300	5	80	50	267	14	35	20
SPA315-2S	2	320.5	315	5	80	50	282	14	35	20
SPA355-2S	2	360.5	355	5	80	50	322	14	35	20
SPA400-2S	2	405.5	400	5	90	50	367	14	35	20
SPA450-2S	2	455.5	450	5	100	50	417	14	35	25
SPA500-2S	2	505.5	500	5	100	50	467	16	35	25
SPA560-2S	2	565.5	560	5	100	50	527	18	35	25
SPA600-2S	2	605.5	600	5	110	50	567	18	35	25
SPA630-2S	2	635.5	630	5	110	50	597	18	35	25

S^{standard}_B^{ore} **V-pulleys**

SPA-3

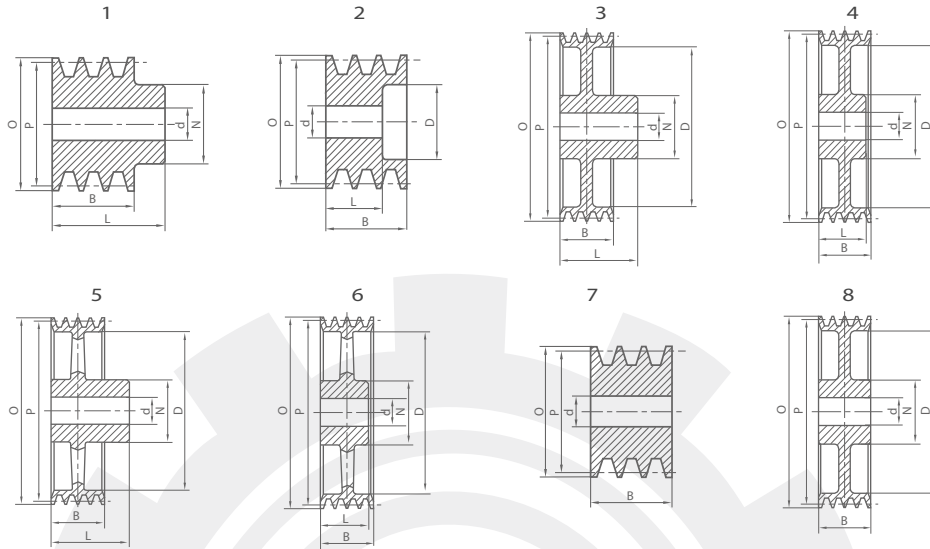


PART NO.	NO.OF GROOVES	O.D	P.D	TYPE	N	L	D	E	B	d
SPA60-3S	3	65.5	60	7	—	—	—	—	50	10
SPA71-3S	3	76.5	71	1	52	52	—	—	50	10
SPA75-3S	3	80.5	75	7	—	—	—	—	50	10
SPA80-3S	3	85.5	80	7	—	—	—	—	50	15
SPA85-3S	3	90.5	85	7	—	—	—	—	50	15
SPA90-3S	3	95.5	90	7	—	—	—	—	50	15
SPA95-3S	3	100.5	95	7	—	—	—	—	50	15
SPA100-3S	3	105.5	100	7	—	—	—	—	50	15
SPA112-3S	3	117.5	112	7	—	—	—	—	50	15
SPA118-3S	3	123.5	118	7	—	—	—	—	50	15
SPA132-3S	3	137.5	132	7	—	—	—	—	50	15
SPA140-3S	3	145.5	140	3	65	52	107	12	50	15
SPA150-3S	3	155.5	150	3	65	52	117	12	50	20
SPA160-3S	3	165.5	160	3	70	52	127	12	50	20
SPA170-3S	3	175.5	170	3	70	52	137	12	50	20
SPA180-3S	3	185.5	180	3	70	52	147	12	50	20
SPA200-3S	3	205.5	200	3	70	52	167	12	50	20
SPA224-3S	3	229.5	224	3	80	52	192	12	50	20
SPA250-3S	3	255.5	250	3	80	60	217	12	50	20
SPA280-3S	3	285.5	280	5	80	60	247	14	50	20
SPA300-3S	3	305.5	300	5	80	60	267	14	50	20
SPA315-3S	3	320.5	315	5	90	60	282	14	50	20
SPA355-3S	3	360.5	355	5	90	60	322	14	50	20
SPA400-3S	3	405.5	400	5	100	60	367	16	50	25
SPA450-3S	3	455.5	450	5	100	60	417	16	50	25
SPA500-3S	3	505.5	500	5	105	60	467	20	50	25
SPA560-3S	3	565.5	560	5	120	65	527	20	50	25
SPA600-3S	3	605.5	600	5	120	65	567	20	50	25
SPA630-3S	3	635.5	630	5	120	65	597	20	50	25

S_{standard}
B_{ore}

V-pulleys

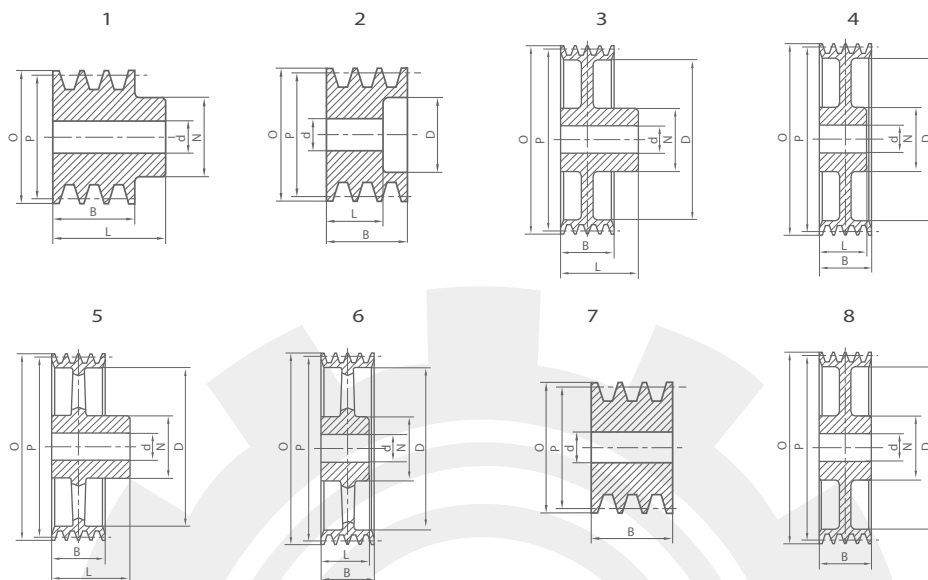
SPA-4



PART NO.	NO.OF GROOVES	O.D	P.D	TYPE	N	L	D	E	B	d
SPA75-4S	4	80.5	75	7	—	—	—	—	65	10
SPA80-4S	4	85.5	80	7	—	—	—	—	65	15
SPA85-4S	4	90.5	85	7	—	—	—	—	65	15
SPA90-4S	4	95.5	90	7	—	—	—	—	65	15
SPA95-4S	4	100.5	95	7	—	—	—	—	65	15
SPA100-4S	4	105.5	100	2	—	52	67	—	65	15
SPA112-4S	4	117.5	112	2	—	52	79	—	65	15
SPA118-4S	4	123.5	118	2	—	52	87	—	65	15
SPA132-4S	4	137.5	132	2	—	52	97	—	65	15
SPA140-4S	4	145.5	140	2	—	52	107	—	65	20
SPA150-4S	4	155.5	150	2	—	52	117	—	65	20
SPA160-4S	4	165.5	160	4	70	52	127	12	65	20
SPA170-4S	4	175.5	170	4	80	52	137	12	65	20
SPA180-4S	4	185.5	180	4	80	60	147	12	65	20
SPA200-4S	4	205.5	200	4	80	60	167	12	65	20
SPA224-4S	4	229.5	224	4	90	60	192	12	65	20
SPA250-4S	4	255.5	250	3	90	65	217	12	65	20
SPA280-4S	4	285.5	280	5	90	65	247	14	65	20
SPA300-4S	4	305.5	300	5	90	65	267	14	65	20
SPA315-4S	4	320.5	315	5	90	65	282	14	65	20
SPA355-4S	4	360.5	355	5	90	65	322	16	65	25
SPA400-4S	4	405.5	400	5	100	65	367	20	65	25
SPA450-4S	4	455.5	450	5	105	65	417	20	65	25
SPA500-4S	4	505.5	500	5	105	65	467	20	65	25
SPA560-4S	4	565.5	560	5	120	65	527	22	65	25
SPA600-4S	4	605.5	600	5	120	65	567	22	65	25
SPA630-4S	4	635.5	630	5	120	65	597	22	65	25

S_{Standard}
B_{ore} **V-pulleys**

SPA-5



PART NO.	NO.OF GROOVES	O.D	P.D	TYPE	N	L	D	E	B	d
SPA75-5S	5	80.5	75	7	—	—	—	—	80	10
SPA80-5S	5	85.5	80	7	—	—	—	—	80	15
SPA85-5S	5	90.5	85	7	—	—	—	—	80	15
SPA90-5S	5	95.5	90	7	—	—	—	—	80	15
SPA95-5S	5	100.5	95	7	—	—	—	—	80	15
SPA100-5S	5	105.5	100	2	—	52	67	—	80	15
SPA112-5S	5	117.5	112	2	—	52	79	—	80	15
SPA118-5S	5	123.5	118	2	—	52	87	—	80	15
SPA132-5S	5	137.5	132	2	—	52	97	—	80	15
SPA140-5S	5	145.5	140	2	—	52	107	—	80	20
SPA150-5S	5	155.5	150	2	—	52	117	—	80	20
SPA160-5S	5	165.5	160	4	80	52	127	12	80	20
SPA170-5S	5	175.5	170	4	80	52	137	12	80	20
SPA180-5S	5	185.5	180	4	80	65	147	12	80	20
SPA200-5S	5	205.5	200	4	80	65	167	12	80	20
SPA224-5S	5	229.5	224	4	90	65	192	12	80	20
SPA250-5S	5	255.5	250	4	90	65	217	12	80	20
SPA280-5S	5	285.5	280	6	100	65	247	14	80	25
SPA300-5S	5	305.5	300	6	100	65	267	14	80	25
SPA315-5S	5	320.5	315	6	100	65	282	16	80	25
SPA355-5S	5	360.5	355	6	100	65	322	18	80	25
SPA400-5S	5	405.5	400	6	100	65	367	22	80	25
SPA450-5S	5	455.5	450	6	105	65	417	22	80	25
SPA500-5S	5	505.5	500	6	110	65	467	22	80	25
SPA560-5S	5	565.5	560	5	120	80	527	24	80	25
SPA600-5S	5	605.5	600	5	120	80	567	24	80	25
SPA630-5S	5	635.5	630	5	120	80	597	24	80	25