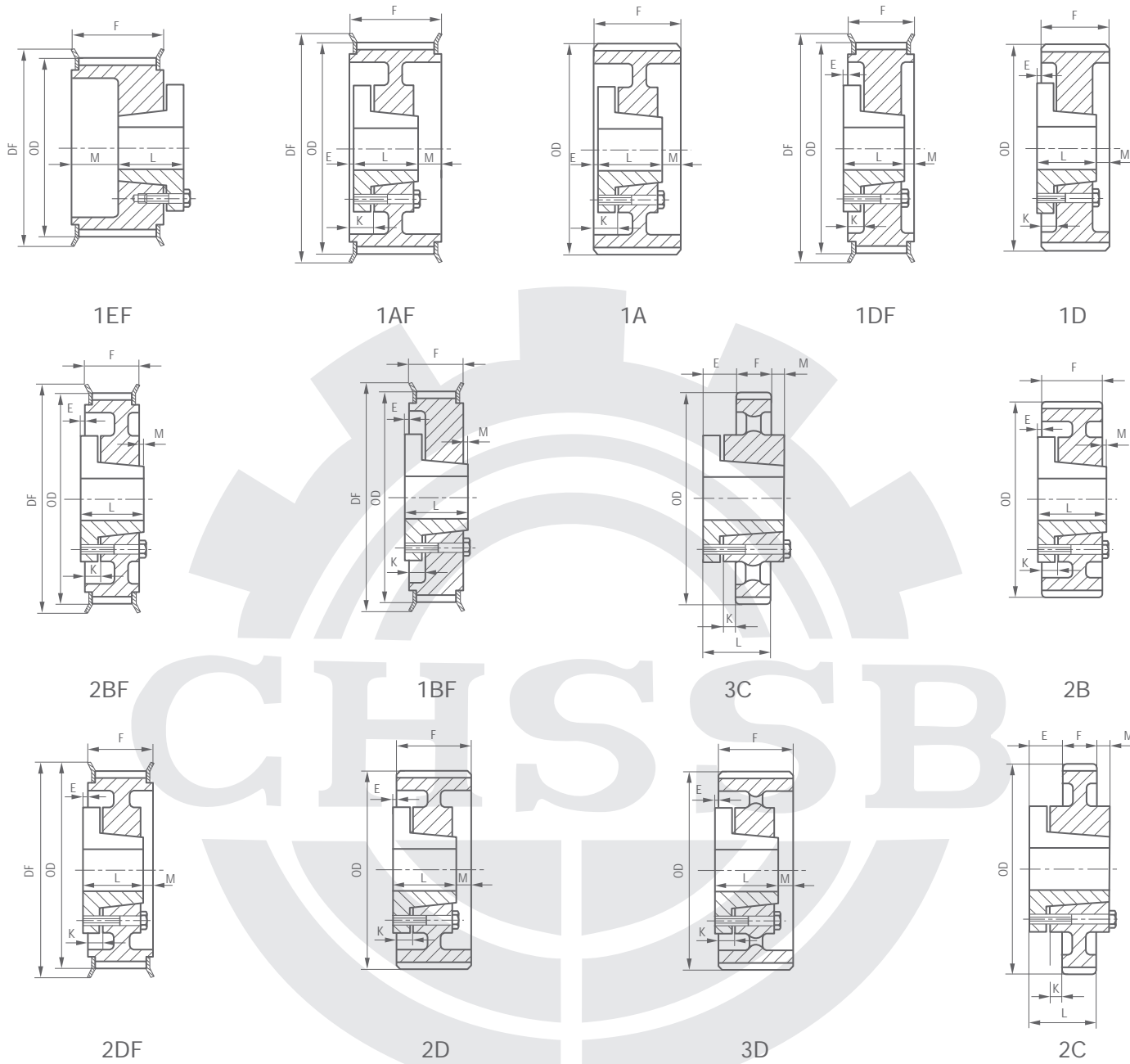


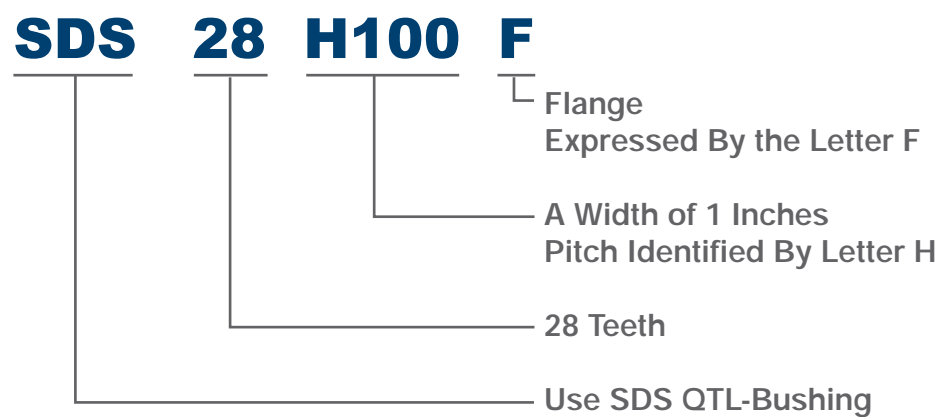
T_B^{aper} Timing pulley

QTL



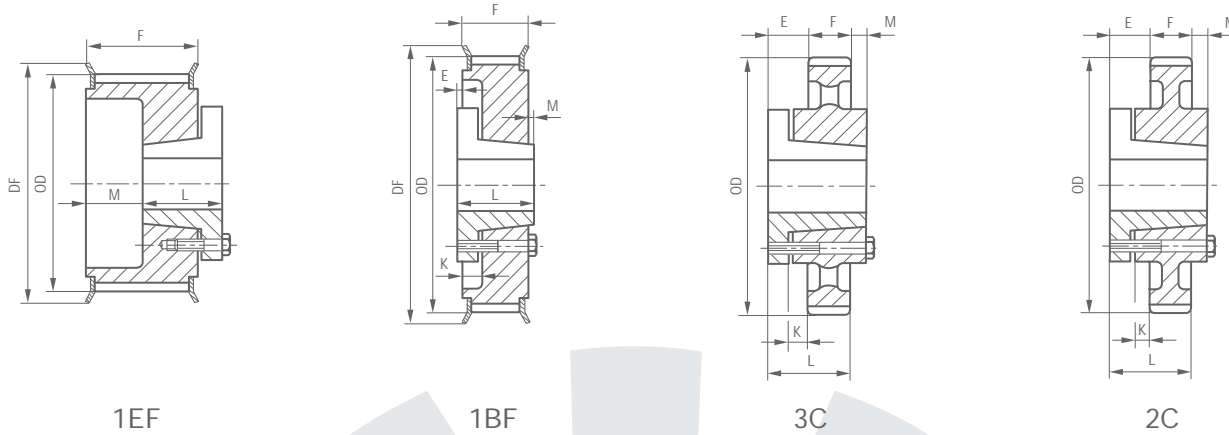
SPECIFICATION AND TYPE FOR TIMING BELT PULLEY

EXAMPLE



T_B^{aper} **Timing pulley**

QTL

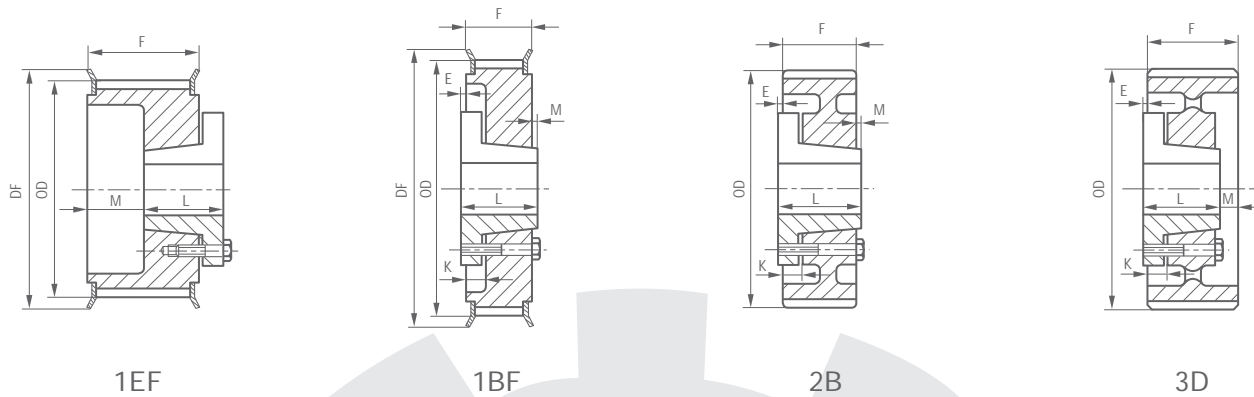


L050 PITCH 3/8" (9.525mm)

SPCFCTN	TYPE	BUSH	Z	PD	OD	DF	F	E	K	L	M
JA18L050F	1EF	JA	18	2.149	2.119	27/16	3/4	1/2	—	1	—
JA20L050F	1EF	JA	20	2.387	2.357	25/8	3/4	1/2	—	1	—
JA22L050F	1EF	JA	22	2.626	2.596	27/8	3/4	1/2	—	1	—
SH24L050F	1EF	SH	24	2.865	2.835	31/8	3/4	21/32	—	15/16	—
SH26L050F	1BF	SH	26	3.104	3.074	33/8	3/4	21/32	—	15/16	—
SH28L050F	1BF	SH	28	3.342	3.312	35/8	3/4	21/32	—	15/16	—
SDS30L050F	1BF	SDS	30	3.581	3.551	313/16	3/4	21/32	—	15/16	—
SDS32L050F	1BF	SDS	32	3.820	3.790	41/16	3/4	21/32	—	15/16	—
SDS36L050F	1BF	SDS	36	4.297	4.267	417/32	3/4	21/32	—	15/16	—
SDS40L050F	1BF	SDS	40	4.775	4.745	5	3/4	21/32	—	15/16	—
SDS44L050F	1BF	SDS	44	5.252	5.222	531/64	3/4	21/32	—	15/16	—
SDS48L050F	1BF	SDS	48	5.730	5.700	6	3/4	21/32	—	15/16	—
SD60L050	2C	SD	60	7.162	7.132	—	3/4	29/32	1/4	113/16	1/4
SD72L050	3C	SD	72	8.594	8.564	—	3/4	29/32	1/4	113/16	1/4
SD84L050	3C	SD	84	10.027	9.997	—	3/4	29/32	1/4	113/16	1/4
SD96L050	3C	SD	96	11.459	11.429	—	3/4	29/32	1/4	113/16	1/4
SD120L050	3C	SD	120	14.324	14.294	—	3/4	29/32	1/4	113/16	1/4

L075 PITCH 3/8" (9.525mm)

SPCFCTN	TYPE	BUSH	Z	PD	OD	DF	F	E	K	L	M
JA18L075F	1EF	JA	18	2.149	2.119	27/16	1	1/2	—	1	3/8
JA20L075F	1EF	JA	20	2.387	2.357	25/8	1	1/2	—	1	3/8
JA22L075F	1EF	JA	22	2.626	2.596	27/8	1	1/2	—	1	3/8
SH24L075F	1EF	SH	24	2.865	2.835	31/8	1	21/32	—	15/16	5/16
SH26L075F	1EF	SH	26	3.104	3.074	33/8	1	21/32	—	15/16	5/16
SH28L075F	1EF	SH	28	3.342	3.312	35/8	1	21/32	—	15/16	5/16
SDS30L075F	1EF	SDS	30	3.581	3.551	313/16	1	21/32	—	15/16	5/16
SDS32L075F	1EF	SDS	32	3.820	3.790	41/16	1	21/32	—	15/16	5/16
SDS36L075F	1BF	SDS	36	4.297	4.267	417/32	1	13/32	1/4	15/16	—
SDS40L075F	1BF	SDS	40	4.775	4.745	5	1	13/32	1/4	15/16	—
SDS44L075F	1BF	SDS	44	5.252	5.222	531/64	1	13/32	1/4	15/16	—
SDS48L075F	1BF	SDS	48	5.730	5.700	6	1	13/32	1/4	15/16	—
SD60L075	2C	SD	60	7.162	7.132	—	1	25/32	1/8	113/16	1/8
SD72L075	3C	SD	72	8.594	8.564	—	1	25/32	1/8	113/16	1/8
SD84L075	3C	SD	84	10.027	9.997	—	1	25/32	1/8	113/16	1/8
SD96L075	3C	SD	96	11.459	11.429	—	1	25/32	1/8	113/16	1/8
SD120L075	3C	SD	120	14.324	14.294	—	1	25/32	1/8	113/16	1/8



L100 PITCH 3/8" (9.525mm)

SPCFCTN	TYPE	BUSH	Z	PD	OD	DF	F	E	K	L	M
JA18L100F	1EF	JA	18	2.149	2.119	27/16	1 1/4	1/2	—	1	5/8
JA20L100F	1EF	JA	20	2.387	2.357	25/8	1 1/4	1/2	—	1	5/8
JA22L100F	1EF	JA	22	2.626	2.596	27/8	1 1/4	1/2	—	1	5/8
SH24L100F	1EF	SH	24	2.865	2.835	3 1/8	1 1/4	21/32	—	15/16	1/2
SH26L100F	1EF	SH	26	3.104	3.074	3 3/8	1 1/4	21/32	—	15/16	1/2
SH28L100F	1EF	SH	28	3.342	3.312	3 5/8	1 1/4	21/32	—	15/16	1/2
SDS30L100F	1EF	SDS	30	3.581	3.551	3 13/16	1 1/4	21/32	—	15/16	1/2
SDS32L100F	1EF	SDS	32	3.820	3.790	4 1/16	1 1/4	21/32	—	15/16	1/2
SDS36L100F	1BF	SDS	36	4.297	4.267	4 17/32	1 1/4	5/32	1/2	15/16	—
SDS40L100F	1BF	SDS	40	4.775	4.745	5	1 1/4	5/32	1/2	15/16	—
SDS44L100F	1BF	SDS	44	5.252	5.222	5 31/64	1 1/4	5/32	1/2	15/16	—
SDS48L100F	1BF	SDS	48	5.730	5.700	6	1 1/4	5/32	1/2	15/16	—
SD60L100	2B	SD	60	7.162	7.132	—	1 1/4	21/32	—	1 13/16	—
SD72L100	3D	SD	72	8.594	8.564	—	1 1/4	21/32	—	1 13/16	—
SD84L100	3D	SD	84	10.027	9.997	—	1 1/4	21/32	—	1 13/16	—
SD96L100	3D	SD	96	11.459	11.429	—	1 1/4	21/32	—	1 13/16	—
SD120L100	3D	SD	120	14.324	14.294	—	1 1/4	21/32	—	1 13/16	—

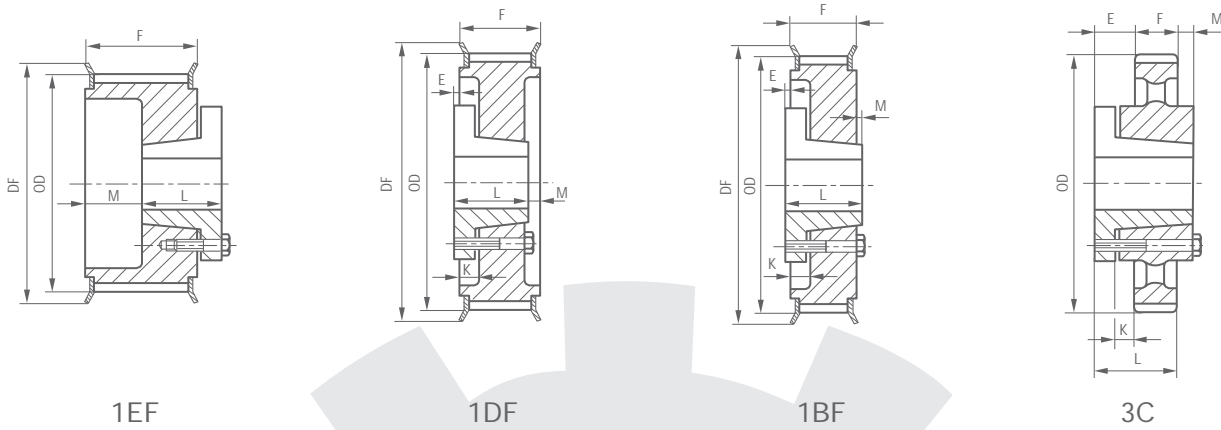
Bore Range

QTL BUSHINGS	Bore	
	Min	Max
JA	1/2	1 1/4
SH	1/2	1 5/16
SDS	1/2	2
SD	1/2	2

Standard Keyseats

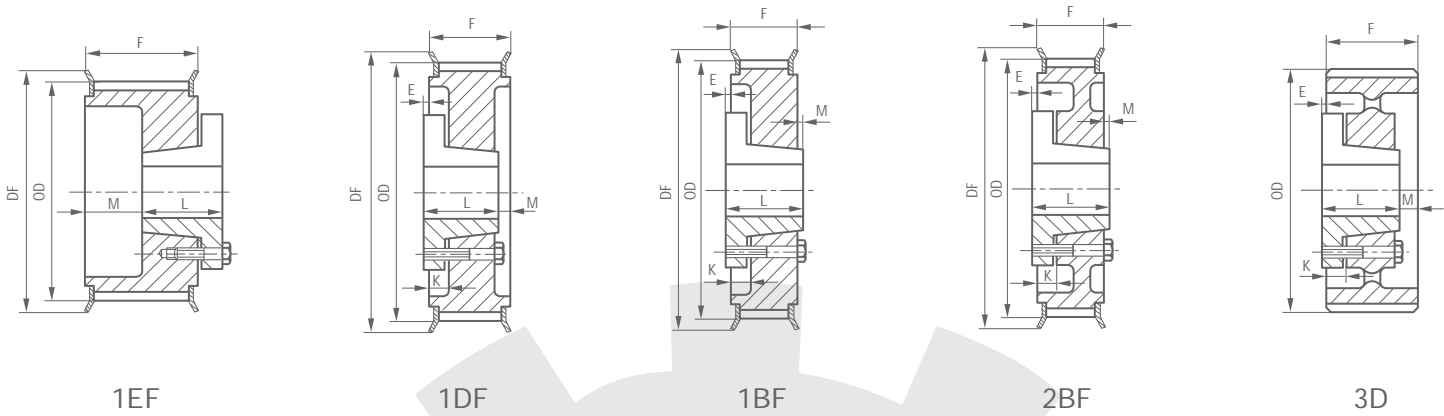
Bore Range	Keyseat
15/16"-1 1/4"	1/4"x1/8"
15/16"-1 3/8"	5/16x5/32
17/16"-1 3/4"	3/8x3/16
1 13/16"-2 1/4"	1/2x1/4

1 3/8" Bore Bushings also available with 3/8"x3/16" Keyseat.



H100 PITCH 1/2" (12.70mm)

SPCFCTN	TYPE	BUSH	Z	PD	OD	DF	F	E	K	L	M
JA14H100F	1EF	JA	14	2.228	2.174	215/32	15/16	1/2	—	1	11/16
JA16H100F	1EF	JA	16	2.546	2.492	225/32	15/16	1/2	—	1	11/16
SH18H100F	1EF	SH	18	2.865	2.811	31/8	15/16	21/32	—	15/16	5/8
SH19H100F	1EF	SH	19	3.024	2.970	31/4	15/16	21/32	—	15/16	5/8
SH20H100F	1EF	SH	20	3.183	3.129	33/8	15/16	21/32	—	15/16	5/8
SH21H100F	1EF	SH	21	3.342	3.288	35/8	15/16	21/32	—	15/16	5/8
SDS22H100F	1EF	SDS	22	3.501	3.447	33/4	15/16	21/32	—	15/16	5/8
SDS23H100F	1EF	SDS	23	3.661	3.607	37/8	15/16	21/32	—	15/16	5/8
SDS24H100F	1EF	SDS	24	3.820	3.766	41/16	15/16	21/32	—	15/16	5/8
SDS25H100F	1EF	SDS	25	3.979	3.925	43/16	15/16	21/32	—	15/16	5/8
SDS26H100F	1DF	SDS	26	4.138	4.084	43/8	15/16	5/32	1/2	15/16	—
SDS27H100F	1DF	SDS	27	4.297	4.243	411/16	15/16	5/32	1/2	15/16	—
SDS28H100F	1DF	SDS	28	4.456	4.402	411/16	15/16	5/32	1/2	15/16	—
SD29H100F	1BF	SD	29	4.615	4.501	5	15/16	21/32	—	113/16	—
SD30H100F	1BF	SD	30	4.775	4.721	5	15/16	21/32	—	113/16	—
SD31H100F	1BF	SD	31	4.934	4.880	55/16	15/16	21/32	—	113/16	—
SK32H100F	1BF	SK	32	5.093	5.093	55/16	15/16	25/32	—	115/16	—
SK33H100F	1BF	SK	33	5.252	5.198	51/2	15/16	25/32	—	115/16	—
SK34H100F	1BF	SK	34	5.411	5.357	55/8	15/16	25/32	—	115/16	—
SK35H100F	1BF	SK	35	5.570	5.516	6	15/16	25/32	—	115/16	—
SK36H100F	1BF	SK	36	5.730	5.676	6	15/16	25/32	—	115/16	—
SK37H100F	1BF	SK	37	5.889	5.835	61/8	15/16	25/32	—	115/16	—
SK38H100F	1BF	SK	38	6.048	5.994	61/4	15/16	25/32	—	115/16	—
SK39H100F	1BF	SK	39	6.207	6.153	69/16	15/16	25/32	—	115/16	—
SK40H100F	1BF	SK	40	6.366	6.312	69/16	15/16	25/32	—	115/16	—
SK41H100F	1BF	SK	41	6.525	6.471	63/4	15/16	25/32	—	115/16	—
SK42H100F	1BF	SK	42	6.684	6.630	67/8	15/16	25/32	—	115/16	—
SK43H100F	1BF	SK	43	6.844	6.790	71/8	15/16	25/32	—	115/16	—
SK44H100F	1BF	SK	44	7.003	6.949	71/4	15/16	25/32	—	115/16	—
SK45H100F	1BF	SK	45	7.162	7.108	73/8	15/16	25/32	—	115/16	—
SK48H100F	1BF	SK	48	7.639	7.585	77/8	15/16	25/32	—	115/16	—
SF60H100	3C	SF	60	9.549	9.495	—	15/16	27/32	—	21/16	—
SF72H100	3C	SF	72	11.459	11.405	—	15/16	27/32	—	21/16	—
SF84H100	3C	SF	84	13.369	13.315	—	15/16	27/32	—	21/16	—
SF96H100	3C	SF	96	15.279	15.225	—	15/16	27/32	—	21/16	—
SF120H100	3C	SF	120	19.099	19.055	—	15/16	27/32	—	21/16	—
SF156H100	3C	SF	156	24.828	24.774	—	15/16	27/32	—	21/16	—



H150 PITCH 1/2" (12.70mm)

SPCFCTN	TYPE	BUSH	Z	PD	OD	DF	F	E	K	L	M
JA14H150F	1EF	JA	14	2.228	2.174	215/32	113/16	1/2	—	1	13/16
JA16H150F	1EF	JA	16	2.546	2.492	225/32	113/16	1/2	—	1	13/16
SH18H150F	1EF	SH	18	2.865	2.811	31/8	113/16	21/32	—	15/16	11/8
SH20H150F	1EF	SH	20	3.183	3.129	35/8	113/16	21/32	—	15/16	11/8
SD22H150F	1EF	SD	22	3.501	3.447	33/4	113/16	21/32	—	113/16	9/16
SD24H150F	1EF	SD	24	3.820	3.766	41/16	113/16	21/32	—	113/16	9/16
SD26H150F	1DF	SD	26	4.138	4.084	43/8	113/16	5/32	1/2	113/16	1/16
SD28H150F	1DF	SD	28	4.456	4.402	411/16	113/16	5/32	1/2	113/16	1/16
SD30H150F	1BF	SD	30	4.775	4.721	5	113/16	3/32	9/16	113/16	—
SK32H150F	1BF	SK	32	5.093	5.093	55/16	113/16	7/32	9/16	115/16	—
SK36H150F	1BF	SK	36	5.730	5.676	6	113/16	7/32	9/16	115/16	—
SK40H150F	1BF	SK	40	6.366	6.312	69/16	113/16	7/32	9/16	115/16	—
SK44H150F	1BF	SK	44	7.003	6.949	71/4	113/16	7/32	9/16	115/16	—
SK48H150F	2BF	SK	48	7.639	7.585	77/8	113/16	7/32	9/16	115/16	—
SF60H150	3D	SF	60	9.549	9.495	—	113/16	9/16	9/32	21/16	9/32
SF72H150	3D	SF	72	11.459	11.405	—	113/16	9/16	9/32	21/16	9/32
SF84H150	3D	SF	84	13.369	13.315	—	113/16	9/16	9/32	21/16	9/32
SF96H150	3D	SF	96	15.279	15.225	—	113/16	9/16	9/32	21/16	9/32
SF120H150	3D	SF	120	19.099	19.055	—	113/16	9/16	9/32	21/16	9/32
SF156H150	3D	SF	156	24.828	24.774	—	113/16	9/16	9/32	21/16	9/32

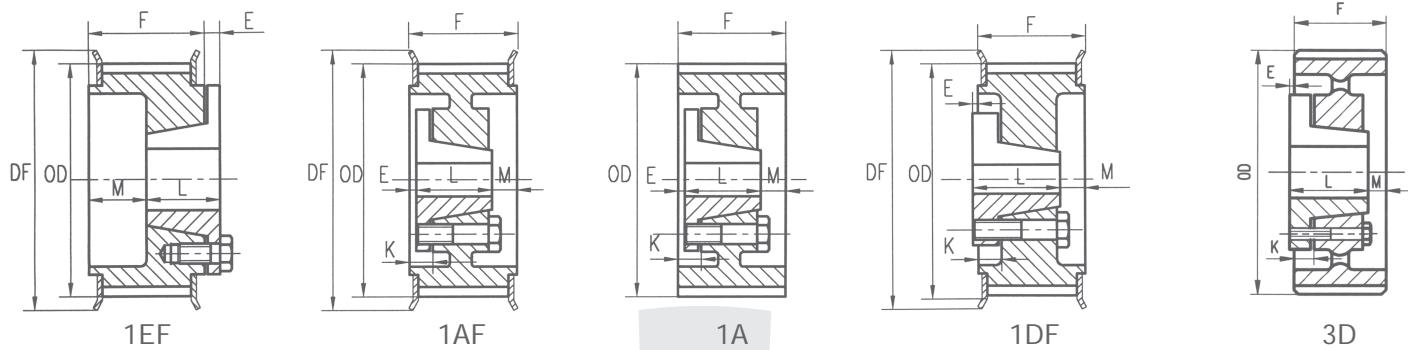
Bore Range

QTL BUSHINGS	Bore	
	Min	Max
JA	1/2	11/4
SH	1/2	15/16
SD	1/2	2
SK	1/2	25/8
SF	1/2	215/16

Standard Keyseats

Bore Range	Keyseat
15/16"-1 1/4"	1/4"x1/8"
15/16-13/8	5/16x5/32
17/16-13/4	3/8x3/16
113/16-21/4	1/2x1/4
25/16-23/4	5/8x5/16
213/16-31/4	3/4x3/8

1 3/8" Bore Bushings also available with 3/8"x3/16" Keyseat.

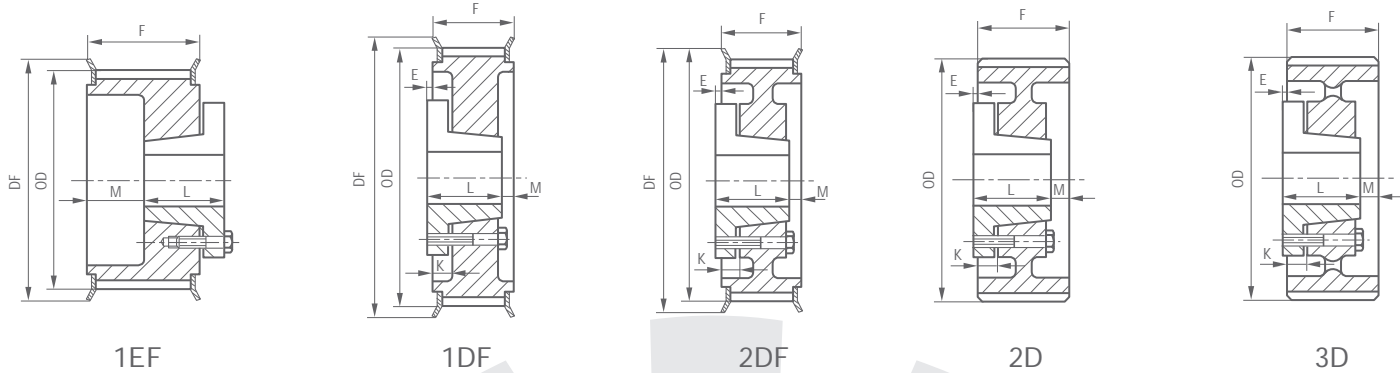


H200 PITCH 1/2" (12.70mm)

SPCFCTN	TYPE	BUSH	Z	PD	OD	DF	F	E	K	L	M
JA14H200F	1EF	JA	14	2.228	2.174	215/32	211/32	1/2	—	1	123/32
JA16H200F	1EF	JA	16	2.546	2.492	225/32	211/32	1/2	—	1	123/32
SH18H200F	1EF	SH	18	2.865	2.811	31/8	211/32	21/32	—	15/16	121/32
SH20H200F	1EF	SH	20	3.183	3.129	35/8	211/32	21/32	—	15/16	121/32
SD22H200F	1EF	SD	22	3.501	3.447	33/4	211/32	21/32	—	113/16	13/32
SD24H200F	1EF	SD	24	3.820	3.766	41/16	211/32	21/32	—	113/16	13/32
SD26H200F	1DF	SD	26	4.138	4.084	43/8	211/32	1/32	5/8	113/16	9/16
SD28H200F	1DF	SD	28	4.456	4.402	411/16	211/32	1/32	5/8	113/16	9/16
SD30H200F	1DF	SD	30	4.775	4.721	5	211/32	3/32	19/32	113/16	5/8
SK32H200F	1DF	SK	32	5.093	5.093	55/16	211/32	3/32	11/16	115/16	1/2
SK36H200F	1DF	SK	36	5.730	5.676	6	211/32	3/32	11/16	115/16	1/2
SK40H200F	1DF	SK	40	6.366	6.312	69/16	211/32	3/32	11/16	115/16	1/2
SK44H200F	1DF	SK	44	7.003	6.949	71/4	211/32	3/32	11/16	115/16	1/2
SF48H200F	1DF	SF	48	7.639	7.585	77/8	211/32	9/32	1/2	21/16	15/32
SF60H200	3D	SF	60	9.549	9.495	—	211/32	9/32	1/2	21/16	15/32
SF72H200	3D	SF	72	11.459	11.405	—	211/32	9/32	1/2	21/16	15/32
SF84H200	3D	SF	84	13.369	13.315	—	211/32	9/32	1/2	21/16	15/32
E96H200	3D	E	96	15.279	15.225	—	211/32	25/32	23/64	23/4	11/32
E120H200	3D	E	120	19.099	19.055	—	211/32	25/32	23/64	23/4	11/32
E156H200	3D	E	156	24.828	24.774	—	211/32	25/32	23/64	23/4	11/32

H300 PITCH 1/2" (12.70mm)

SPCFCTN	TYPE	BUSH	Z	PD	OD	DF	F	E	K	L	M
SD22H300F	1EF	SD	22	3.501	3.447	33/4	33/8	21/32	—	113/16	27/32
SD24H300F	1EF	SD	24	3.820	3.766	41/16	33/8	21/32	—	113/16	27/32
SD26H300F	1DF	SD	26	4.138	4.084	43/8	33/8	1/32	5/8	113/16	11/2
SD28H300F	1DF	SD	28	4.456	4.402	411/16	33/8	1/32	5/8	113/16	11/2
SD30H300F	1AF	SD	30	4.775	4.721	5	33/8	13/32	11/16	113/16	11/16
SK32H300F	1AF	SK	32	5.093	5.093	55/16	33/8	9/32	11/16	115/16	11/16
SK36H300F	1AF	SK	36	5.730	5.676	6	33/8	9/32	11/16	115/16	11/16
SK40H300F	1AF	SK	40	6.366	6.312	69/16	33/8	9/32	11/16	115/16	11/16
SK44H300F	1AF	SK	44	7.003	6.949	71/4	33/8	9/32	11/16	115/16	11/16
SF48H300F	1AF	SF	48	7.639	7.585	77/8	33/8	5/32	11/16	21/16	11/16
SF60H300	3D	SF	60	9.549	9.495	—	33/8	5/32	11/16	21/16	11/16
SF72H300	3D	SF	72	11.459	11.405	—	33/8	5/32	11/16	21/16	11/16
SF84H300	3D	SF	84	13.369	13.315	—	33/8	5/32	11/16	21/16	11/16
E96H300	3D	E	96	15.279	15.225	—	33/8	9/32	7/8	23/4	7/8
E120H300	3D	E	120	19.099	19.055	—	33/8	9/32	7/8	23/4	7/8
E156H300	3D	E	156	24.828	24.774	—	33/8	9/32	7/8	23/4	7/8



XH200 PITCH 7/8" (22.22mm)

SPCFCTN	TYPE	BUSH	Z	PD	OD	DF	F	E	K	L	M
SK18XH200F	1EF	SK	18	5.013	4.903	59/16	29/16	25/32	—	115/16	1 5/16
SK20XH200F	1DF	SK	20	5.570	5.460	61/8	29/16	1/8	21/32	115/16	21/32
SK21XH200F	1DF	SK	21	5.849	5.739	61/4	29/16	1/8	21/32	115/16	21/32
SK22XH200F	1DF	SK	22	6.127	6.017	611/16	29/16	1/8	21/32	115/16	21/32
SK23XH200F	1DF	SK	23	6.406	6.296	613/16	29/16	1/8	21/32	115/16	21/32
SF24XH200F	1DF	SF	24	6.685	6.575	71/4	29/16	3/16	21/32	21/16	21/32
SF25XH200F	1DF	SF	25	6.963	6.853	71/4	29/16	3/16	21/32	21/16	21/32
SF26XH200F	1DF	SF	26	7.241	7.131	73/4	29/16	3/16	21/32	21/16	21/32
SF27XH200F	1DF	SF	27	7.520	7.410	715/16	29/16	3/16	21/32	21/16	21/32
E28XH200F	1DF	E	28	7.799	7.689	83/8	29/16	11/16	15/32	23/4	15/32
E29XH200F	1DF	E	29	8.077	7.967	81/2	29/16	11/16	15/32	23/4	15/32
E30XH200F	1DF	E	30	8.356	8.246	87/8	29/16	11/16	15/32	23/4	15/32
E32XH200F	1DF	E	32	8.913	8.803	97/16	29/16	11/16	15/32	23/4	15/32
E36XH200F	2DF	E	36	10.027	9.917	109/16	29/16	11/16	15/32	23/4	15/32
F40XH200F	2DF	F	40	11.141	11.031	1111/16	29/16	15/16	1/32	33/4	1/32
F48XH200	2D	F	48	13.369	13.259	—	29/16	15/16	1/32	33/4	1/32
F60XH200	3D	F	60	16.711	16.601	—	29/16	15/16	1/32	33/4	1/32
F72XH200	3D	F	72	20.054	19.944	—	29/16	15/16	1/32	33/4	1/32
F84XH200	3D	F	84	23.396	23.286	—	29/16	15/16	1/32	33/4	1/32
F96XH200	3D	F	96	26.738	26.628	—	29/16	15/16	1/32	33/4	1/32
F120XH200	3D	F	120	33.423	33.313	—	29/16	15/16	1/32	33/4	1/32

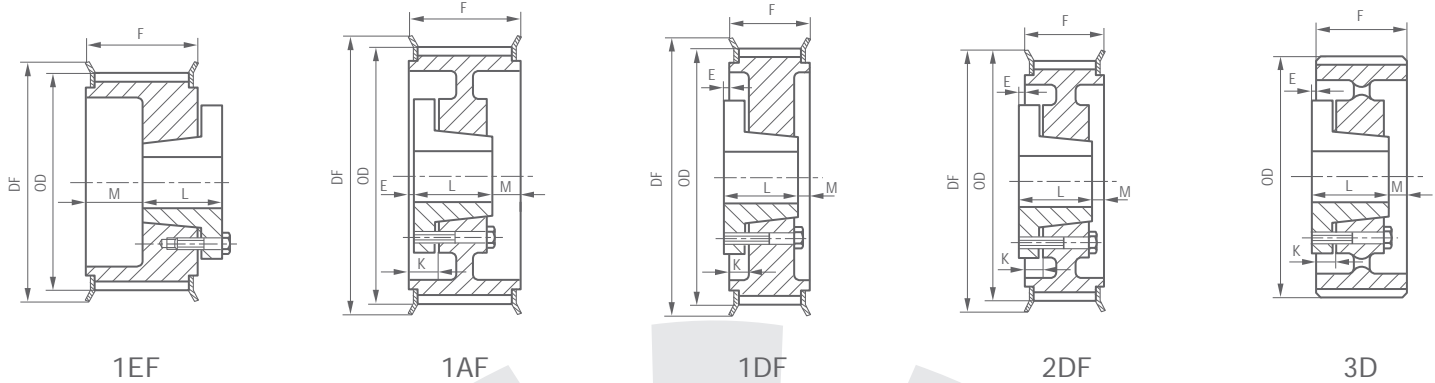
Bore Range

QTL BUSHINGS	Bore	
	Min	Max
SK	1/2	25/8
SF	1/2	215/16
E	7/8	31/2
F	1	4

Standard Keyseats

Bore Range	Keyseat
15/16"-1 1/4"	1/4"x1/8"
15/16"-1 3/8"	5/16x5/32
17/16"-1 3/4"	3/8x3/16
113/16"-2 1/4"	1/2x1/4
25/16"-2 3/4"	5/8x5/16
213/16"-3 1/4"	3/4x3/8
33/8"-3 3/4"	7/8x7/16
37/8"-4 1/2"	1x1/2

1 3/8" Bore Bushings also available with 3/8"x3/16" Keyseat.

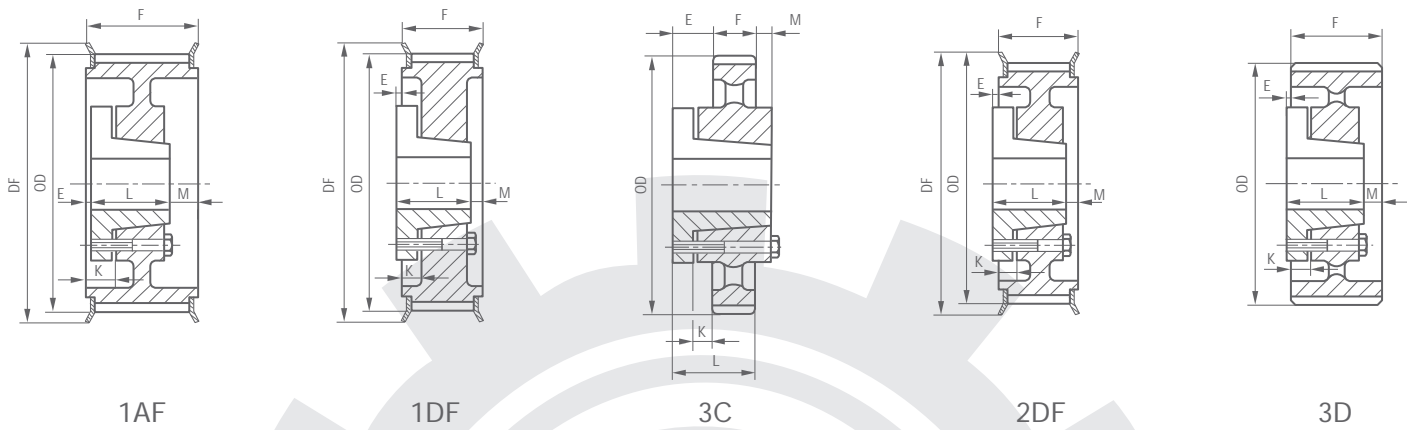


XH300 PITCH 7/8" (22.22mm)

SPCFCTN	TYPE	BUSH	Z	PD	OD	DF	F	E	K	L	M
SK18XH300F	1EF	SK	18	5.013	4.903	59/16	35/8	25/32	25/32	115/16	23/8
SK20XH300F	1AF	SK	20	5.570	5.460	61/8	35/8	13/16	13/32	115/16	13/16
SK21XH300F	1AF	SK	21	5.849	5.739	61/4	35/8	13/16	13/32	115/16	13/16
SK22XH300F	1AF	SK	22	6.127	6.017	611/16	35/8	13/16	13/32	115/16	13/16
SK23XH300F	1AF	SK	23	6.406	6.296	613/16	35/8	13/16	13/32	115/16	13/16
SF24XH300F	1AF	SF	24	6.685	6.575	71/4	35/8	13/16	11/32	21/16	13/16
SF25XH300F	1AF	SF	25	6.963	6.853	71/4	35/8	13/16	11/32	21/16	13/16
SF26XH300F	1AF	SF	26	7.241	7.131	73/4	35/8	13/16	11/32	21/16	13/16
SF27XH300F	1AF	SF	27	7.520	7.410	715/16	35/8	13/16	11/32	21/16	13/16
E28XH300F	1DF	E	28	7.799	7.689	83/8	35/8	1	5/32	23/4	1
E29XH300F	1DF	E	29	8.077	7.967	81/2	35/8	1	5/32	23/4	1
E30XH300F	1DF	E	30	8.356	8.246	87/8	35/8	1	5/32	23/4	1
E32XH300F	1DF	E	32	8.913	8.803	97/16	35/8	1	5/32	23/4	1
E36XH300F	2DF	E	36	10.027	9.917	109/16	35/8	1	5/32	23/4	1
F40XH300F	2DF	F	40	11.141	11.031	1111/16	35/8	9/16	25/32	33/4	9/16
F48XH300	2D	F	48	13.369	13.259	—	35/8	9/16	25/32	33/4	9/16
F60XH300	3D	F	60	16.711	16.601	—	35/8	9/16	25/32	33/4	9/16
J72XH300	3D	J	72	20.054	19.944	—	35/8	7/32	17/32	45/8	7/32
J84XH300	3D	J	84	23.396	23.286	—	35/8	7/32	17/32	45/8	7/32
J96XH300	3D	J	96	26.738	26.628	—	35/8	7/32	17/32	45/8	7/32
J120XH300	3D	J	120	33.423	33.313	—	35/8	7/32	17/32	45/8	7/32

XH400 PITCH 7/8" (22.22mm)

SPCFCTN	TYPE	BUSH	Z	PD	OD	DF	F	K	E	L	M
SK20XH400F	1AF	SK	20	5.570	5.460	61/8	411/16	13/32	13/16	115/16	21/4
SK22XH400F	1AF	SK	22	6.127	6.017	611/16	411/16	13/32	13/16	115/16	21/4
SF24XH400F	1AF	SF	24	6.685	6.575	71/4	411/16	11/32	11/8	21/16	21/4
SF26XH400F	1AF	SF	26	7.241	7.131	73/4	411/16	11/32	11/8	21/16	21/4
E28XH400F	1DF	E	28	7.799	7.689	83/8	411/16	3/8	117/32	23/4	117/32
E30XH400F	1DF	E	30	8.356	8.246	87/8	411/16	3/8	117/32	23/4	117/32
E32XH400F	1DF	E	32	8.913	8.803	97/16	411/16	3/8	117/32	23/4	117/32
E36XH400F	2DF	E	36	10.027	9.917	109/16	411/16	3/8	117/32	23/4	117/32
F40XH400F	2DF	F	40	11.141	11.031	1111/16	411/16	1/4	13/32	33/4	13/32
J48XH400	2D	J	48	13.369	13.259	—	411/16	11/16	3/4	45/8	3/4
J60XH400	3D	J	60	16.711	16.601	—	411/16	11/16	3/4	45/8	3/4
J72XH400	3D	J	72	20.054	19.944	—	411/16	11/16	3/4	45/8	3/4
J84XH400	3D	J	84	23.396	23.286	—	411/16	11/16	3/4	45/8	3/4
J96XH400	3D	J	96	26.738	26.628	—	411/16	11/16	3/4	45/8	3/4
J120XH400	3D	J	120	33.423	33.313	—	411/16	11/16	3/4	45/8	3/4

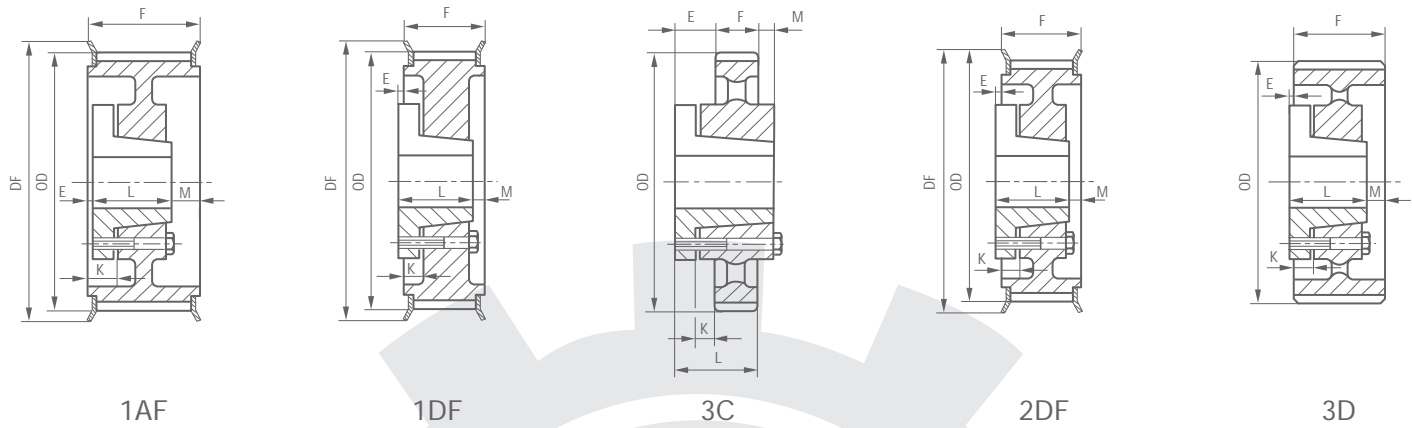


XXH200 PITCH 1 1/4" (31.75mm)

SPCFCTN	TYPE	BUSH	Z	PD	OD	DF	F	E	K	L	M
SK18XXH200F	1DF	SK	18	7.162	7.042	7/8	25/8	3/32	11/16	115/16	11/16
SK20XXH200F	1DF	SK	20	7.958	7.838	811/16	25/8	3/32	11/16	115/16	11/16
E22XXH200F	1DF	E	22	8.753	8.633	9/2	25/8	21/32	3/8	23/4	1/2
E24XXH200F	1DF	E	24	9.549	9.429	105/16	25/8	21/32	3/8	23/4	1/2
E26XXH200F	2DF	E	26	10.345	10.225	111/16	25/8	21/32	3/8	23/4	1/2
F30XXH200F	2DF	F	30	11.937	11.817	1211/16	25/8	19/32	1/16	33/4	1/16
F34XXH200F	2DF	F	34	13.528	13.408	141/4	25/8	19/32	1/16	33/4	1/16
F40XXH200F	3DF	F	40	15.915	15.795	165/8	25/8	19/32	1/16	33/4	1/16
J48XXH200	3C	J	48	19.099	18.979	—	25/8	113/16	9/32	45/8	9/32
J60XXH200	3C	J	60	23.873	23.753	—	25/8	113/16	9/32	45/8	9/32
J72XXH200	3C	J	72	28.648	28.528	—	25/8	113/16	9/32	45/8	9/32
J90XXJ200	3C	J	90	35.810	35.690	—	25/8	113/16	9/32	45/8	9/32

XXH300 PITCH 1 1/4" (31.75mm)

SPCFCTN	TYPE	BUSH	Z	PD	OD	DF	F	E	K	L	M
SF18XXH300F	1AF	SF	18	7.162	7.042	7/8	311/16	17/32	15/16	21/16	11/16
SF20XXH300F	1AF	SF	20	7.958	7.838	811/16	311/16	17/32	15/16	21/16	11/16
E22XXH300F	1DF	E	22	8.753	8.633	9/2	311/16	1/8	29/32	23/4	11/32
E24XXH300F	2DF	E	24	9.549	9.429	105/16	311/16	1/8	29/32	23/4	11/32
E26XXH300F	2DF	E	26	10.345	10.225	111/16	311/16	1/8	29/32	23/4	11/32
F30XXH300F	2DF	F	30	11.937	11.817	1211/16	311/16	3/4	19/32	33/4	19/32
F34XXH300F	2DF	F	34	13.528	13.408	141/4	311/16	3/4	19/32	33/4	19/32
F40XXH300F	3DF	F	40	15.915	15.795	165/8	311/16	3/4	19/32	33/4	19/32
J48XXH300	3D	J	48	19.099	18.979	—	311/16	13/16	5/8	45/8	1/4
J60XXH300	3D	J	60	23.873	23.753	—	311/16	13/16	5/8	45/8	1/4
J72XXH300	3D	J	72	28.648	28.528	—	311/16	13/16	5/8	45/8	1/4
J90XXH300	3D	J	90	35.810	35.690	—	311/16	13/16	5/8	45/8	1/4



XXH400 PITCH 1 1/4" (31.75mm)

SPCFCTN	TYPE	BUSH	Z	PD	OD	DF	F	E	K	L	M
SF18XXH400F	1AF	SF	18	7.162	7.042	7/8	43/4	17/32	15/16	21/16	21/8
SF20XXH400F	1AF	SF	20	7.958	7.838	811/16	43/4	17/32	15/16	21/16	21/8
E22XXH400F	1AF	E	22	8.753	8.633	91/2	43/4	13/32	5/8	23/4	19/16
E24XXH400F	2AF	E	24	9.549	9.429	105/16	43/4	13/32	5/8	23/4	19/16
F26XXH400F	1DF	F	26	10.345	10.225	111/16	43/4	7/32	11/8	33/4	11/8
F30XXH400F	2DF	F	30	11.937	11.817	1211/16	43/4	7/32	11/8	33/4	11/8
J34XXH400F	2DF	J	34	13.528	13.408	141/4	43/4	21/32	27/32	45/8	25/32
J40XXH400F	3DF	J	40	15.915	15.795	165/8	43/4	21/32	27/32	45/8	25/32
J48XXH400	3D	J	48	19.099	18.979	—	43/4	21/32	27/32	45/8	25/32
M60XXH400	3C	M	60	23.873	23.753	—	43/4	113/16	11/32	63/4	7/32
M72XXH400	3C	M	72	28.648	28.528	—	43/4	113/16	11/32	63/4	7/32
M90XXH400	3C	M	90	35.810	35.690	—	43/4	113/16	11/32	63/4	7/32

XXH500 PITCH 1 1/4" (31.75mm)

SPCFCTN	TYPE	BUSH	Z	PD	OD	DF	F	E	K	L	M
E22XXH500F	1AF	E	22	8.753	8.633	91/2	513/16	15/16	3/32	23/4	23/32
F24XXH500F	2AF	F	24	9.549	9.429	105/16	513/16	5/16	11/32	33/4	121/32
F26XXH500F	2AF	F	26	10.345	10.225	111/16	513/16	5/16	11/32	33/4	121/32
J30XXH500F	2DF	J	30	11.937	11.817	1211/16	513/16	1/8	15/16	45/8	15/16
J34XXH500F	2DF	J	34	13.528	13.408	141/4	513/16	1/8	15/16	45/8	15/16
J40XXH500F	3DF	J	40	15.915	15.795	165/8	513/16	1/8	15/16	45/8	15/16
M48XXH500	3D	M	48	19.099	18.979	—	513/16	19/32	5/16	63/4	5/16
M60XXH500	3D	M	60	23.873	23.753	—	513/16	19/32	5/16	63/4	5/16
M72XXH500	3D	M	72	28.648	28.528	—	513/16	19/32	5/16	63/4	5/16
M90XXH500	3D	M	90	35.810	35.690	—	513/16	19/32	5/16	63/4	5/16